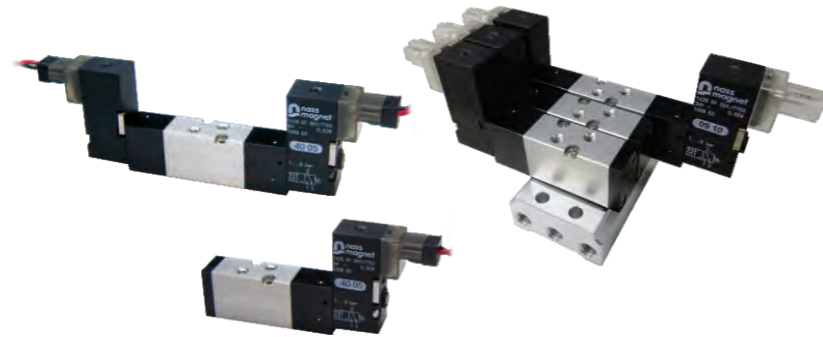


Features

1. Coil in connector type (with LED) for easy installation.
2. Miniature and Compact size, 10mm width, large flow rate.
3. Anodized aluminum body and strict quality control provide a long durability.
4. Quick acting, low starting pressure.
5. Low power consumption 0.65W.



How to order

PM521	A	-	M3	-	S	9
5/2 Way	Valve type		Port size		Solenoid	
	A : Body ported B : Base mounted		M3 : M3 (A series) Blank : B series		S : Single solenoid D : Double solenoid	
					6 : 24VAC 7 : 12VDC 9 : 24VDC	

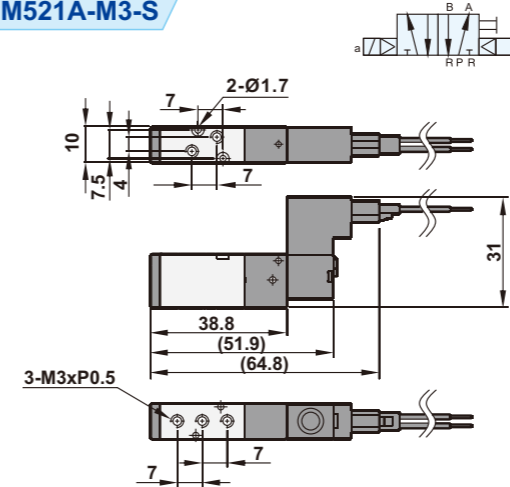
PM521	A	-	M5	02
	Valve type		Port size	Stations
	A : Body ported B : Base mounted		M5 : M5	02 : 2 Stations 03 : 3 Stations XX : XX Stations

Specifications

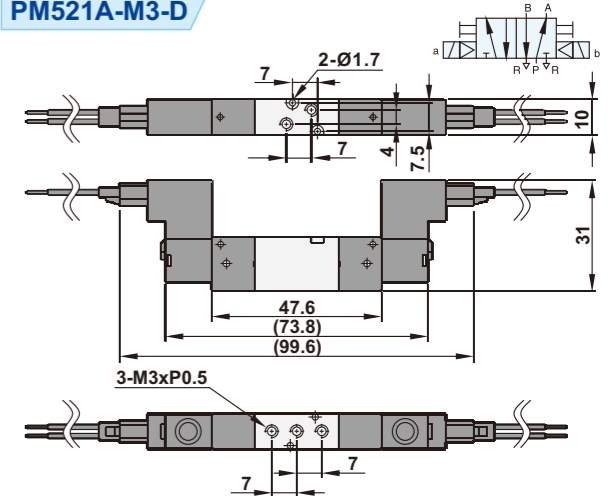
Model	PM521A-M3-S(D)	PM521B-S(D)
Port size	M3	
Body material	Aluminum alloy	
Fluid	Compressed air	
Effective area	1.0mm ²	
Acting	Internal pilot	
Operating pressure range	1.0 ~ 7 kgf/cm ²	
Cycle rate	500 cpm	
Proof pressure	8.0 kgf/cm ²	
Ambient temperature	-10°C ~ 60°C	
Duty cycle	100% ED	
Coil type	Plug connector	
Protection class	IP65(DIN 40 050)	
Insulation class	F	
Voltage tolerance	±10%	
Standard voltage	6VDC, 12VDC, 24VDC (The other voltage is optional)	
Net weight	35g	48g

Dimensions

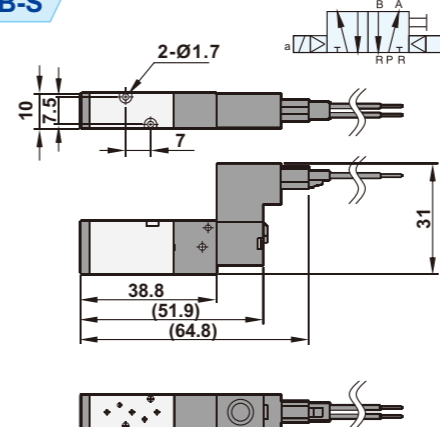
PM521A-M3-S



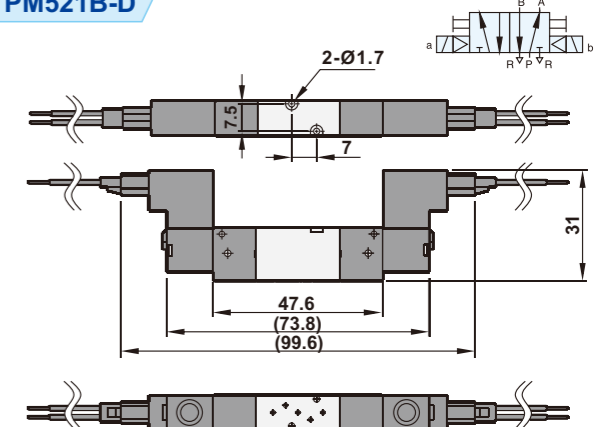
PM521A-M3-D



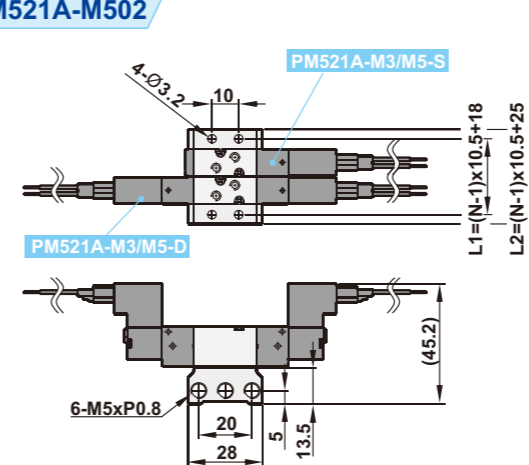
PM521B-S



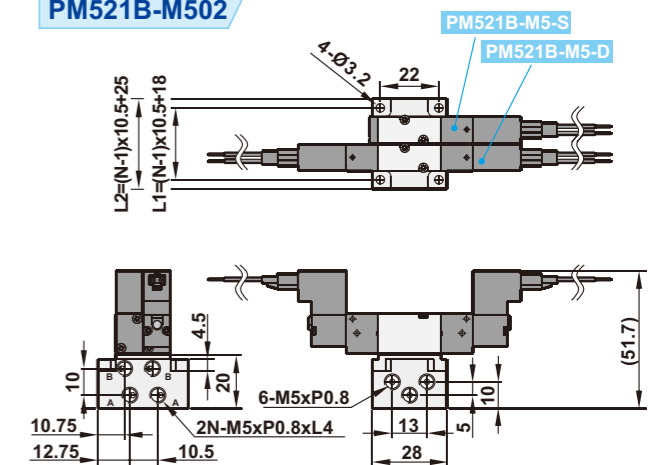
PM521B-D



PM521A-M502



PM521B-M502



Number of station (N)	2	3	4	5	6	7	8	9	10
L1	28.5	39	49.5	60	70.5	81	91.5	102	112.5
L2	35.5	46	56.5	67	77.5	88	98.5	109	119.5

Features

1. Medium and compact size, 18mm width solenoid valve.
2. Manual override design for easy test and operation.
3. Anodized aluminum body and strict quality control provide a long durability.
4. The mounting position is identical to the counter product from the famous Japanese brand.
5. Coil nut is available, please refer to page 5-2.



How to order

SM520	X	-	O1	N	-	S	2	D	L
520 :5/2 Way	Acting style	Port size	Thread	Solenoid	Voltage	Coil type	LED		
530 :5/3 Way	Blank : Standard 5/3 Way Blank : Closed center X : Exhaust center Y : Pressurized center	01 : 1/8"	Blank : G N : NPT R : Rc	S : Single solenoid D : Double solenoid	1 : 110VAC 2 : 220VAC 6 : 24VAC 7 : 12VDC 9 : 24VDC	Blank : Lead wire D : DIN	Blank : W/O LED L : W/I LED		

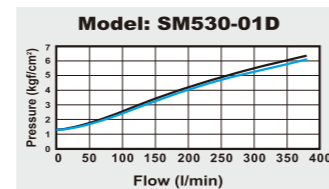
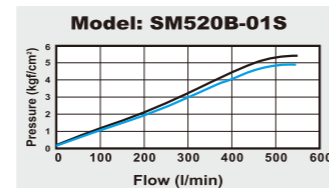
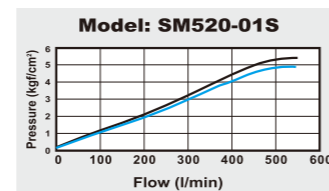
How to order manifold

MF52S	-	O1	N	O2
			Thread	Stations
			Blank : G N : NPT R : Rc	02 : 2 Stations 03 : 3 Stations XX : XX Stations

Specifications

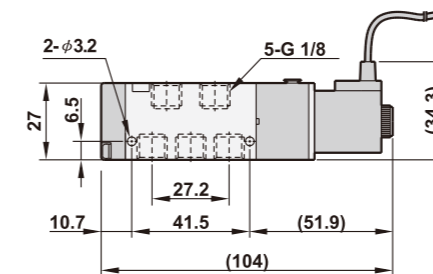
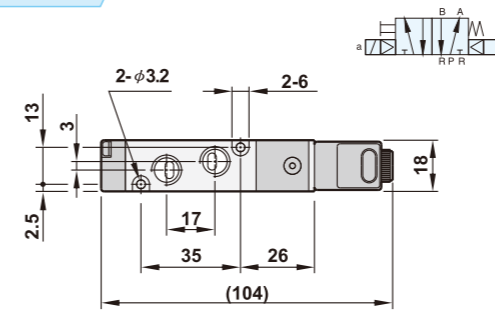
Model	SM520-01-S	SM520-01-D	SM530-01-D
Port size		1/8"	
Body material		Aluminum alloy	
Fluid		Compressed air	
Acting		Internal pilot	
Effective area	11mm ²		9mm ²
Operating pressure range	1.5~8 kgf/cm ²		2~7 kgf/cm ²
Proof pressure		9.9 kgf/cm ²	
Ambient temperature		-10°C ~ 60°C	
Duty cycle		100% ED	
Coil type	Lead wire (Standard), DIN (Option)		
Protection class	IP65 (DIN 40 050)		
Insulation class	F		
Voltage tolerance	±10%		
Standard voltage	220VAC, 110VAC, 24VDC (The other voltage is optional)		
Net weight	125g	195g	215g

Flow chart

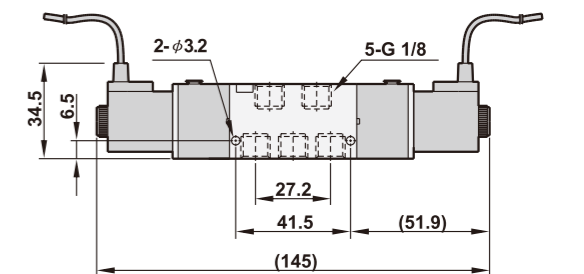
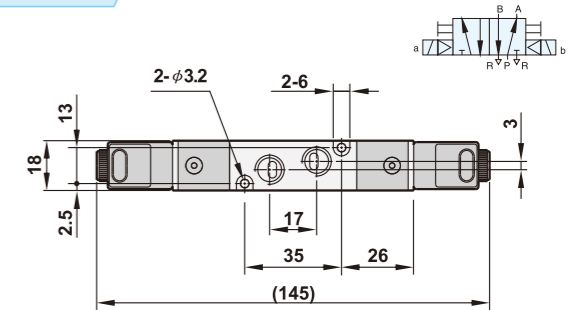


Dimensions

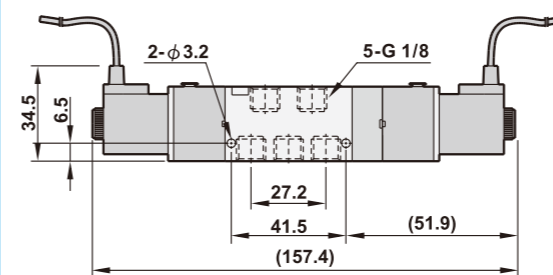
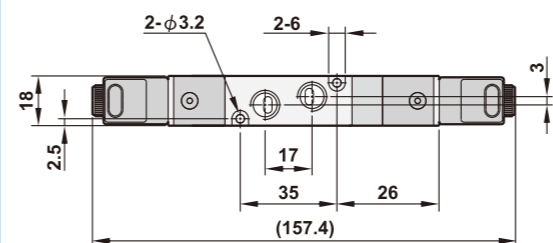
SM520-01-S



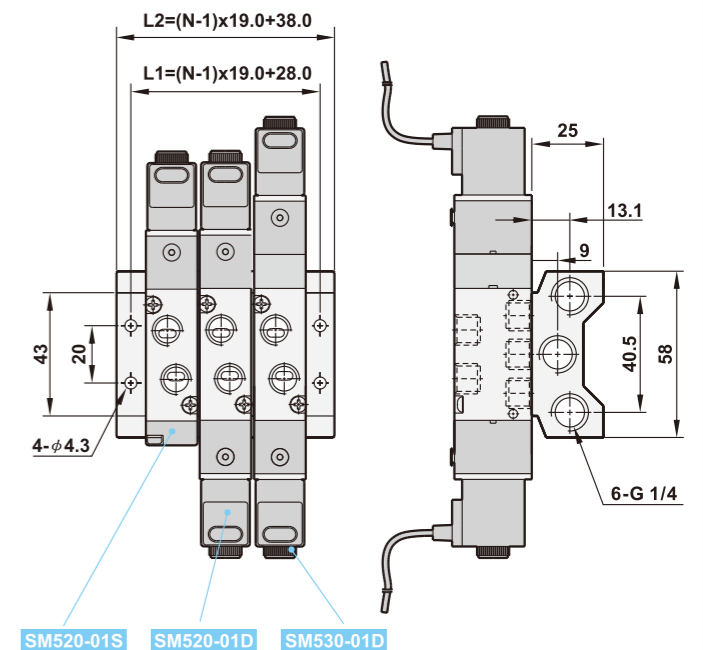
SM520-01-D



SM530(X)(Y)-01-D



MF52S-0103



Number of station (N)	2	3	4	5	6	7	8	9	10
L1	47.0	66.0	85.0	104.0	123.0	142.0	161.0	180.0	199.0
L2	57.0	76.0	95.0	114.0	133.0	152.0	171.0	190.0	209.0

AM Series

5/2, 5/3 Way Pilot Solenoid Valve

18mm width

Features

1. Medium and compact size, 18mm width solenoid valve.
2. Manual override design for easy test and operation.
3. Anodized aluminum body and strict quality control provide a long durability.
4. Coil nut is available, please refer to page 5-2.



How to order

AM520 B	X	-	01	N	-	S	2	D	L
520: 5/2 Way	Valve type	Acting style	Port size	Thread	Solenoid	Voltage	Coil type	LED	
530: 5/3 Way	Blank: Body ported B: Base mounted	Blank: Standard 5/3 Way Blank: Closed center X: Exhaust center Y: Pressurized center	01: 1/8"	Blank: G N: NPT R: Rc	S: Single solenoid D: Double solenoid	S1: 110VAC S2: 220VAC S6: 24VAC S7: 12VDC S9: 24VDC	Blank: Lead wire D: DIN	Blank: W/O LED L: W/I LED	

How to order manifold

MF520 - 01	N	02
For body ported valve	Thread	Stations
	Blank: G N: NPT R: Rc	02: 2 Stations 03: 3 Stations XX: XX Stations

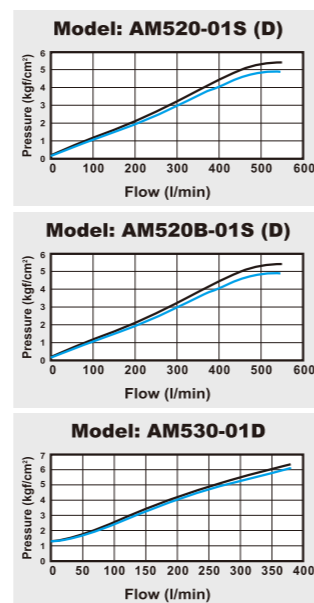
How to order manifold (B type)

SF520 - 01	N	02
For base mounted valve	Thread	Stations
	Blank: G N: NPT	02: 2 Stations 03: 3 Stations XX: XX Stations

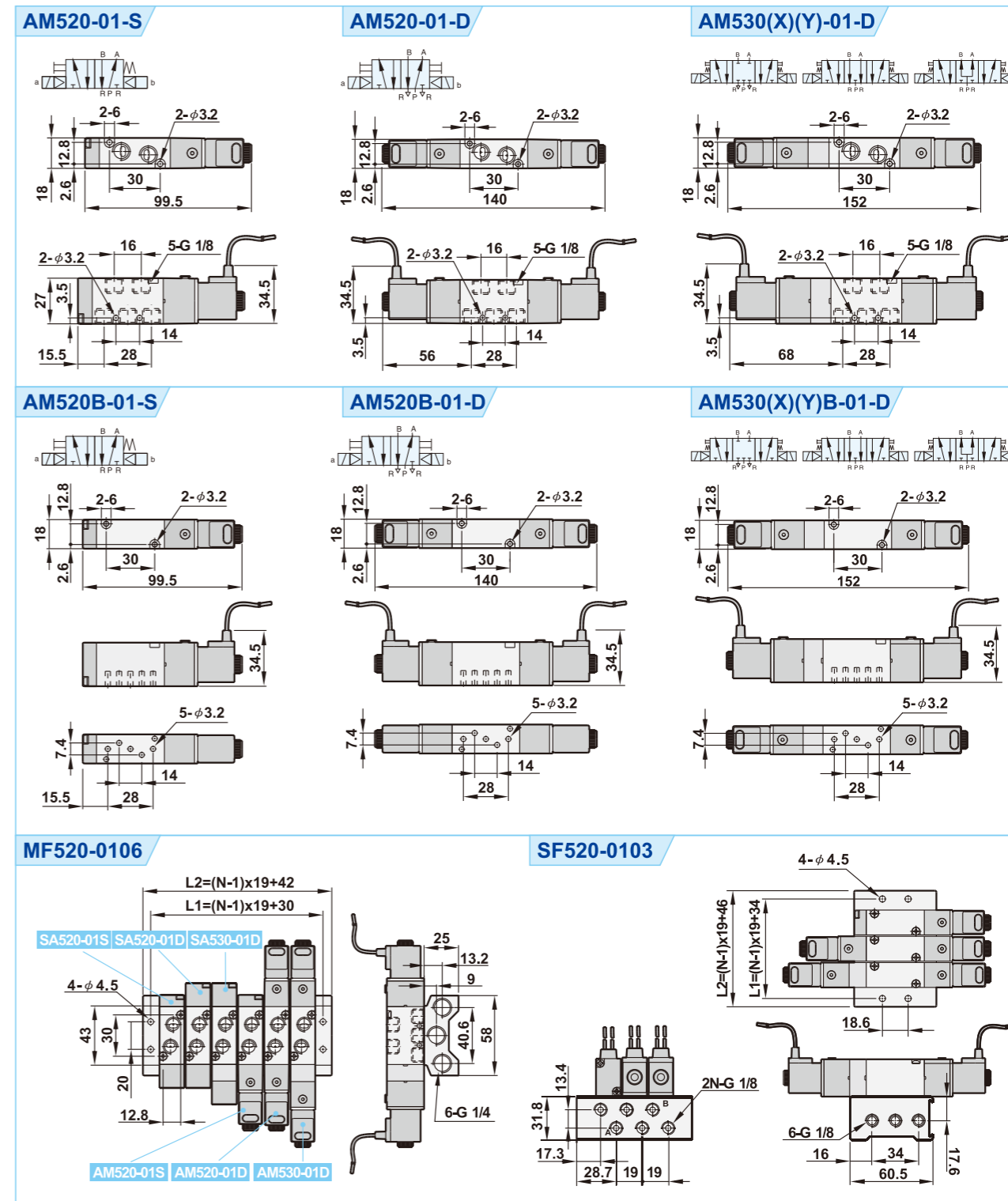
Specifications

Model	AM520-01-S(D)	AM520B-01-S(D)	AM530-01-D
Port size	1/8"		
Body material	Aluminum alloy		
Fluid	Compressed air		
Acting	Internal pilot		
Effective area	11mm ²		9mm ²
Operating pressure range	1.5~8 kgf/cm ²		2~7 kgf/cm ²
Proof pressure	9.9 kgf/cm ²		
Ambient temperature	-10°C ~ 50°C		
Duty cycle	100% ED		
Coil type	Lead wire (Standard), DIN (Option)		
Protection class	IP65 (DIN 40 050)		
Insulation class	F		
Voltage tolerance	±10%		
Standard voltage	220VAC, 110VAC, 24VDC (The other voltage is optional)		
Net weight	125g (175g)	580g (660g)	215g

Flow chart



Dimensions



Number of station (N)	2	3	4	5	6	7	8	9	10	Number of station (N)	2	3	4	5	6	7	8	9	10
L1	49	68	87	106	125	144	163	182	201	L1	53	72	91	110	129	148	167	186	205
L2	61	80	99	118	137	156	195	194	213	L2	65	84	103	122	141	160	179	198	217

Control Valves
Solenoid Valve
PM
SM
AM
BM
PU
SPU
PS
CY

Features

1. 3/2 way solenoid valve, direct acting for quick and sensitive response.
2. Large flow rate.
3. The valve is easy to be installed, which simplifies pipe connection.
4. Coil nut is available, please refer to page 5-3.

*Stainless steel valve body can be customized.



How to order

3/2 Way	Port size	Thread	Solenoid	Voltage	Led	Coil type
	02 : 1/4"	Blank : G	S : Single solenoid	1 : 110VAC	Blank : W/O LED	Blank : DIN
	03 : 3/8"	N : NPT		2 : 220VAC	L : W/I LED	E : Ex-proof
		R : Rc		6 : 24VAC		
				7 : 12VDC		
				9 : 24VDC		

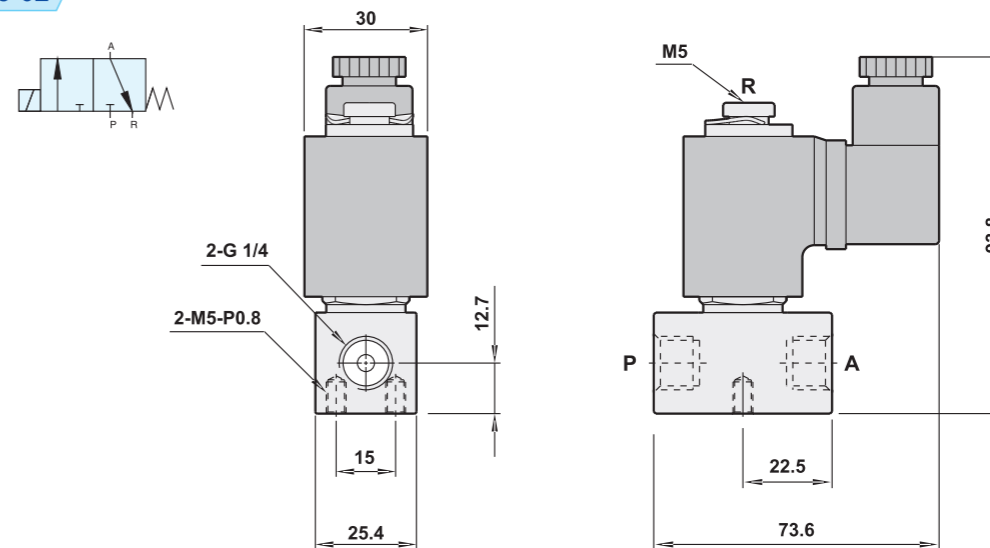
*Ex-proof coil is available, please refer to page 5-9.

Specifications

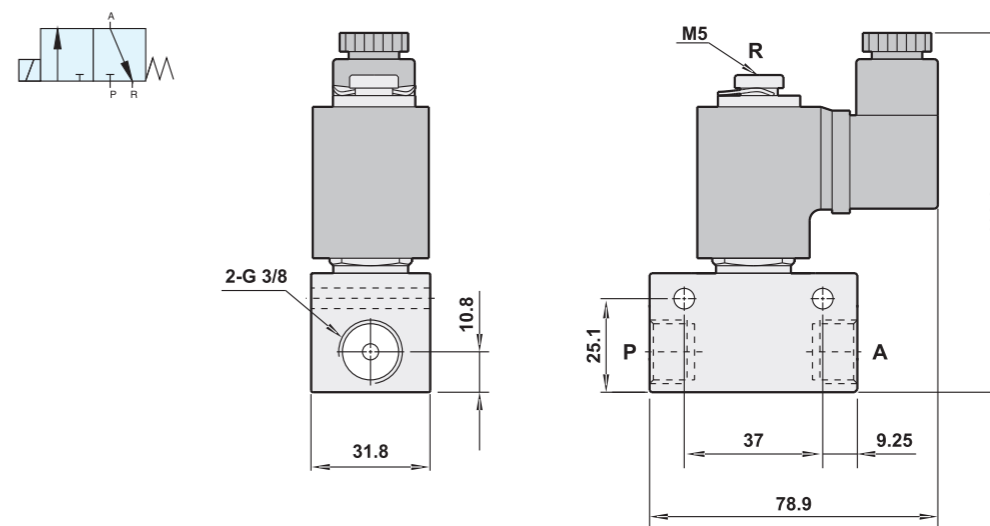
Model	AM325-02-S	AM325-03-S
Port size	1/4"	3/8"
Body material	Aluminum alloy	
Fluid	Compressed air	
Effective area	3.8mm ²	4.2mm ²
Acting	Direct acting with spring return	
Operating pressure range	0 ~ 6 kgf/cm ²	
Proof pressure	7 kgf/cm ²	
Ambient temperature	-10°C ~ 60°C	
Duty cycle	100% ED	
Coil type	DIN	
Protection class	IP65 (DIN 40 050)	
Insulation class	F	
Voltage tolerance	± 10%	
Standard voltage	220VAC, 110VAC, 24VDC (The other voltage is optional)	
Net weight	270g	370g

Dimensions

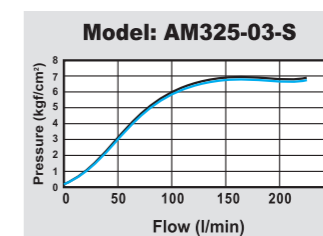
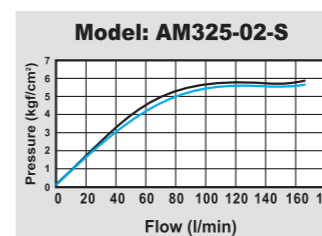
AM325-02



AM325-03



Flow chart



■ Features

1. Medium size, 22mm width solenoid valve, large flow rate.
2. Lockable manual override for easy operation.
3. Anodized aluminum body and strict quality control provide a long durability.
4. Coil nut is available, please refer to page 5-1.



■ How to order

BM520 X - O2 N - S 2 L E1																
<table border="1"> <tr> <th>520: 5/2 Way</th> <th>Acting style</th> <th>Port size</th> <th>Thread</th> <th>Solenoid</th> <th>Voltage</th> <th>Led</th> <th>Coil type</th> </tr> <tr> <td>530: 5/3 Way</td> <td>Blank: Standard Blank: Closed center X: Exhaust center Y: Pressurized center</td> <td>02: 1/4" 03: 3/8" 04: 1/2"</td> <td>Blank: G N: NPT R: Rc</td> <td>S: Single solenoid D: Double solenoid</td> <td>1: 110VAC 2: 220VAC 6: 24VAC 7: 12VDC 9: 24VDC</td> <td>Blank: W/O LED L: W/I LED</td> <td>Blank: DIN F: Lead wire E1: EX-proof 22mm width E2: EX-proof 30mm width E3: EX-proof CSA standard</td> </tr> </table>	520: 5/2 Way	Acting style	Port size	Thread	Solenoid	Voltage	Led	Coil type	530: 5/3 Way	Blank: Standard Blank: Closed center X: Exhaust center Y: Pressurized center	02: 1/4" 03: 3/8" 04: 1/2"	Blank: G N: NPT R: Rc	S: Single solenoid D: Double solenoid	1: 110VAC 2: 220VAC 6: 24VAC 7: 12VDC 9: 24VDC	Blank: W/O LED L: W/I LED	Blank: DIN F: Lead wire E1: EX-proof 22mm width E2: EX-proof 30mm width E3: EX-proof CSA standard
520: 5/2 Way	Acting style	Port size	Thread	Solenoid	Voltage	Led	Coil type									
530: 5/3 Way	Blank: Standard Blank: Closed center X: Exhaust center Y: Pressurized center	02: 1/4" 03: 3/8" 04: 1/2"	Blank: G N: NPT R: Rc	S: Single solenoid D: Double solenoid	1: 110VAC 2: 220VAC 6: 24VAC 7: 12VDC 9: 24VDC	Blank: W/O LED L: W/I LED	Blank: DIN F: Lead wire E1: EX-proof 22mm width E2: EX-proof 30mm width E3: EX-proof CSA standard									

* Please refer to page 5-10 for the details of ex-proof coil.

■ How to order manifold

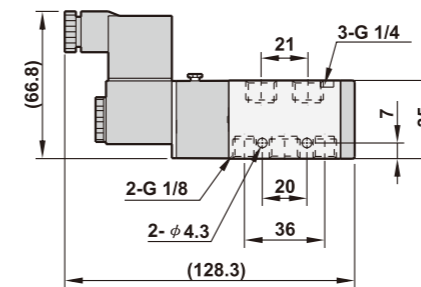
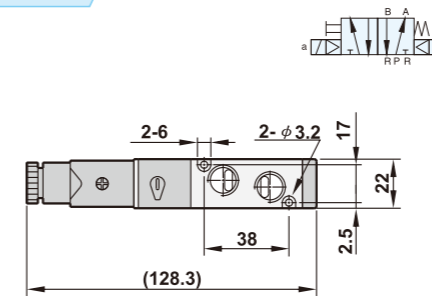
MFB520 - O2 N O2												
<table border="1"> <tr> <th>Port size</th> <th>Thread</th> <th>Stations</th> </tr> <tr> <td>02: 1/4"</td> <td>Blank: G</td> <td>02: 2 Stations</td> </tr> <tr> <td>03: 3/8"</td> <td>N: NPT</td> <td>03: 3 Stations</td> </tr> <tr> <td>04: 1/2"</td> <td>R: Rc</td> <td>XX: XX Stations</td> </tr> </table>	Port size	Thread	Stations	02: 1/4"	Blank: G	02: 2 Stations	03: 3/8"	N: NPT	03: 3 Stations	04: 1/2"	R: Rc	XX: XX Stations
Port size	Thread	Stations										
02: 1/4"	Blank: G	02: 2 Stations										
03: 3/8"	N: NPT	03: 3 Stations										
04: 1/2"	R: Rc	XX: XX Stations										

■ Specifications

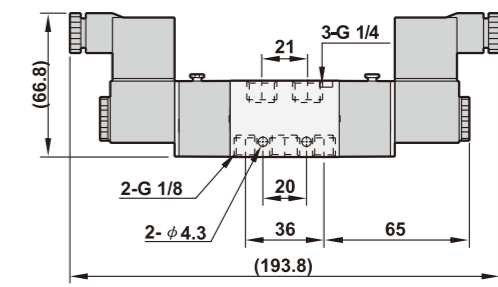
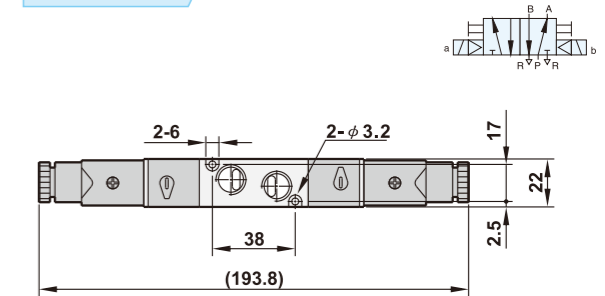
Model	BM520-02-S(D)	BM530-02-D	BM520-03-S(D)	BM530-03-D	BM520-04-S(D)	BM530-04-D
Port size	1/4", 1/8" (Exhaust ports)		3/8", 1/4" (Exhaust ports)		1/2"	
Body material	Aluminum alloy					
Fluid	Compressed air					
Acting	Internal pilot					
Effective area	18mm ²	14mm ²	30mm ²	18mm ²	50mm ²	30mm ²
Operating pressure range	2~8 kgf/cm ²					
Proof pressure	9.9 kgf/cm ²					
Ambient temperature	-10℃ ~ 60℃					
Duty cycle	100% ED					
Coil type	DIN (Standard)					
Protection class	IP65 (DIN 40 050)					
Insulation class	F					
Voltage tolerance	±10%					
Standard voltage	220VAC, 110VAC, 24VDC (The other voltage is optional)					
Net weight	235g(335g)	445g	410g(500g)	700g	590g(720g)	770g

■ Dimensions

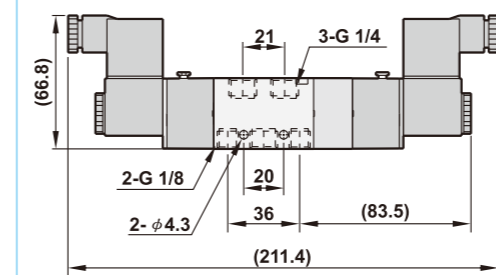
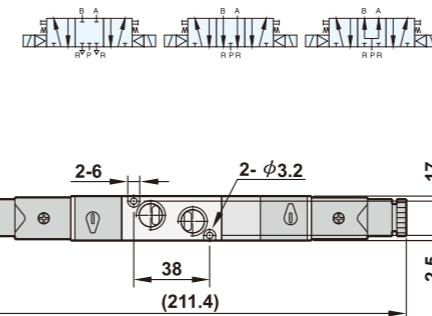
BM520-02-S



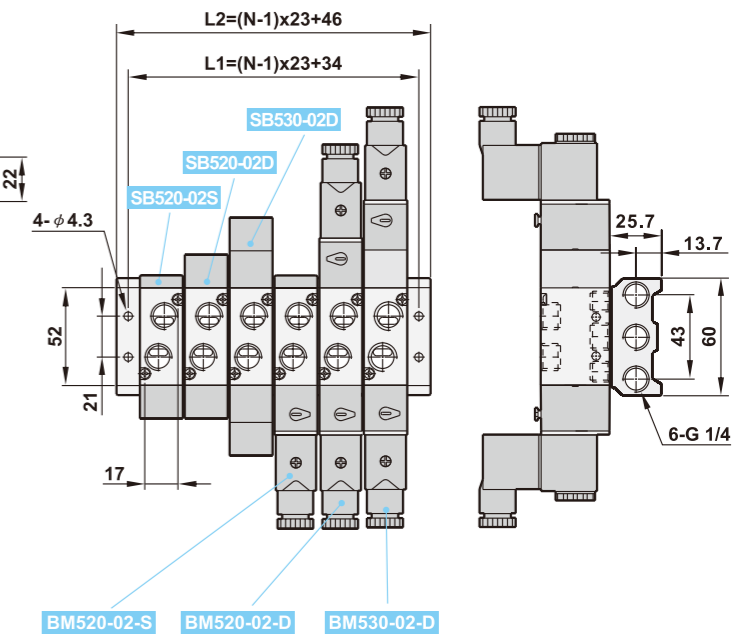
BM520-02-D



BM530(X)(Y)-02-D



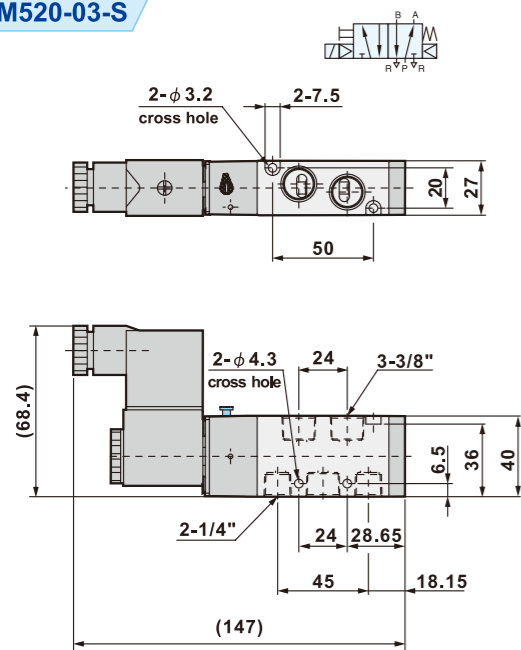
MFB520-0206



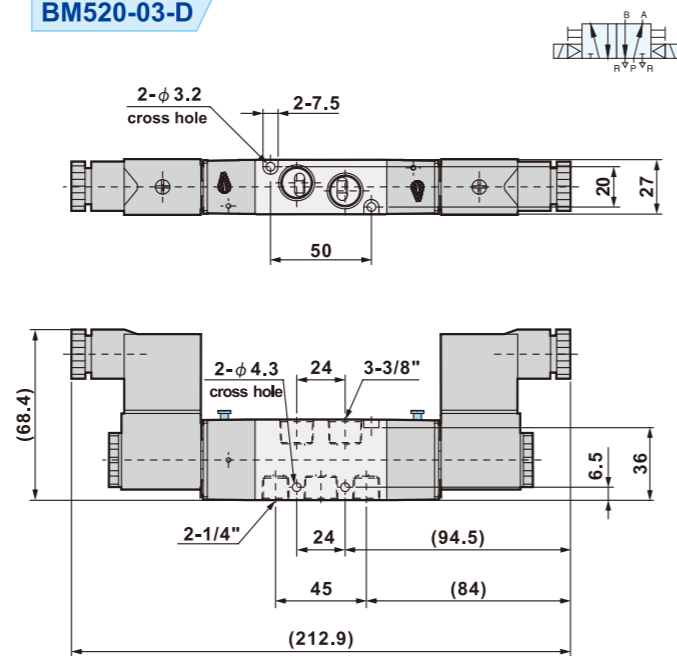
Number of station (N)	2	3	4	5	6	7	8	9	10
L1	57	80	103	126	149	172	195	218	241
L2	69	92	115	138	161	184	207	230	253

■ Dimensions

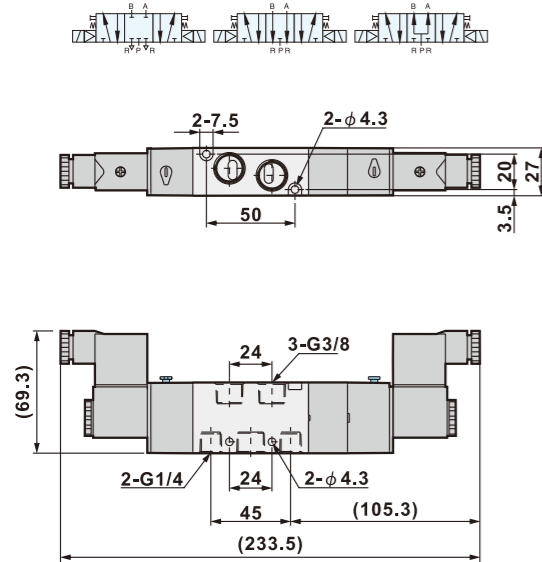
BM520-03-S



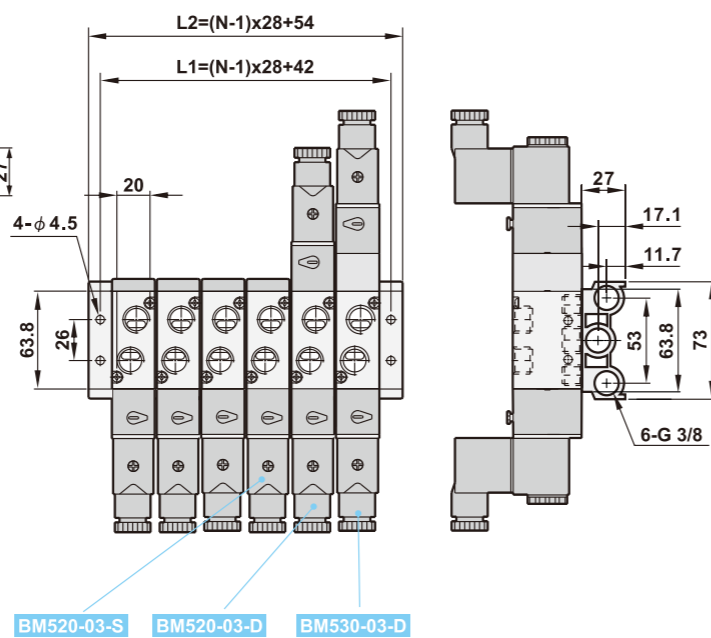
BM520-03-D



BM530(X)(Y)-03-D



MFB520-0306

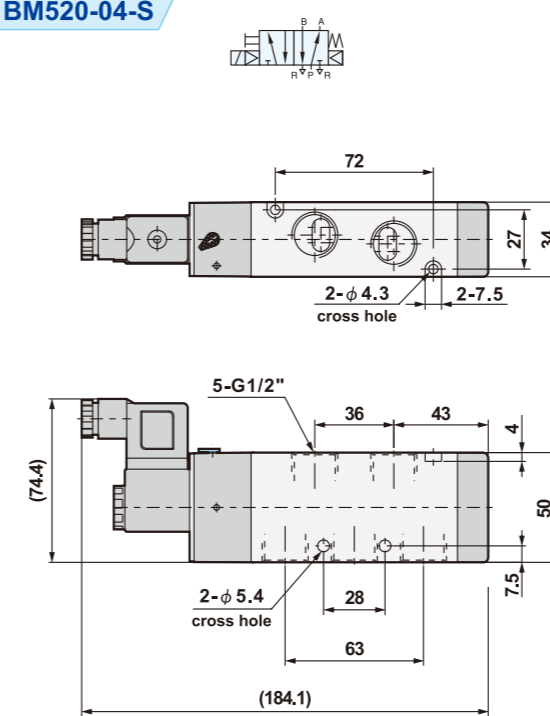


BM520-03-S BM520-03-D BM530-03-D

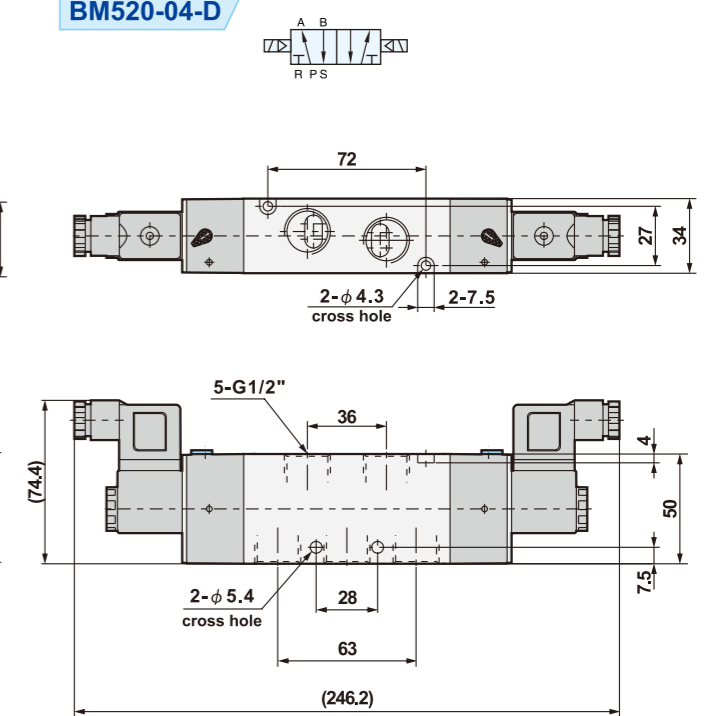
Number of station (N)	2	3	4	5	6	7	8	9	10
L1	70	98	126	154	182	210	238	266	294
L2	82	110	138	166	194	222	250	278	306

■ Dimensions

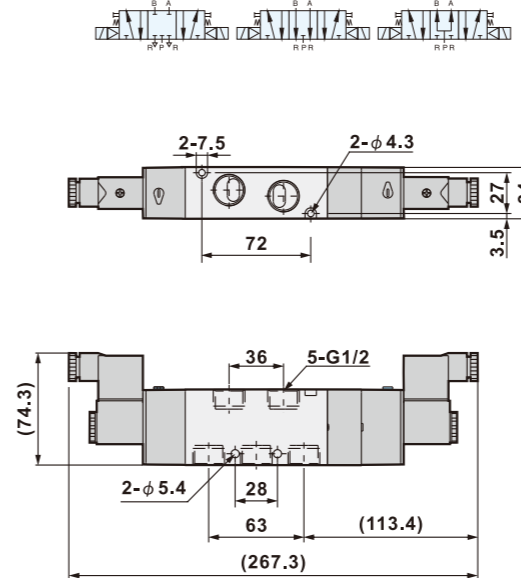
BM520-04-S



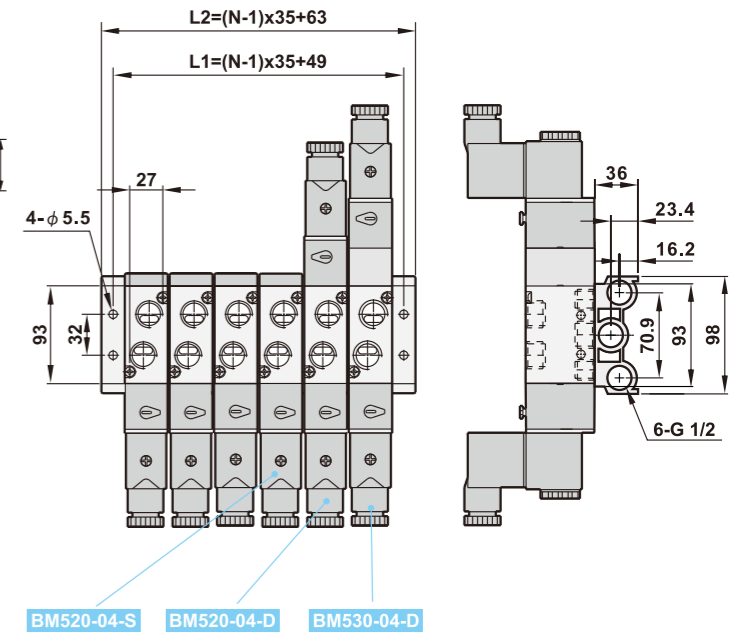
BM520-04-D



BM530(X)(Y)-04-D



MFB520-0406



BM520-04-S BM520-04-D BM530-04-D

Number of station (N)	2	3	4	5	6	7	8	9	10
L1	84	119	154	189	224	259	294	329	364
L2	98	133	168	203	238	273	308	343	378

■ Features

1. From medium to compact Size, variety of flow rate.
2. Manual override with lock design for easy operation.
3. Anodized aluminum body with special machining inner slot, low friction, strict quality control provides a long durability.
4. Coil nut is available, please refer to page 5-1, 5-2.



■ How to order

BM320	N	-	O2	N	-	S	2	L	E1
3/2 Way	Acting style		Port size	Thread	Solenoid	Voltage	Led		Coil type
	Blank : Normally closed N : Normally open		O1 : 1/8" O2 : 1/4"	Blank : G N : NPT R : Rc	S : Single solenoid	1 : 110VAC 2 : 220VAC 6 : 24VAC 7 : 12VDC 9 : 24VDC	Blank : W/O LED L : W/I LED		For 1/8" Blank : Lead wire D : DIN For 1/4" Blank : DIN F : Lead wire E1 : EX-proof 22mm width E2 : EX-proof 30mm width E3 : EX-proof CSA standard

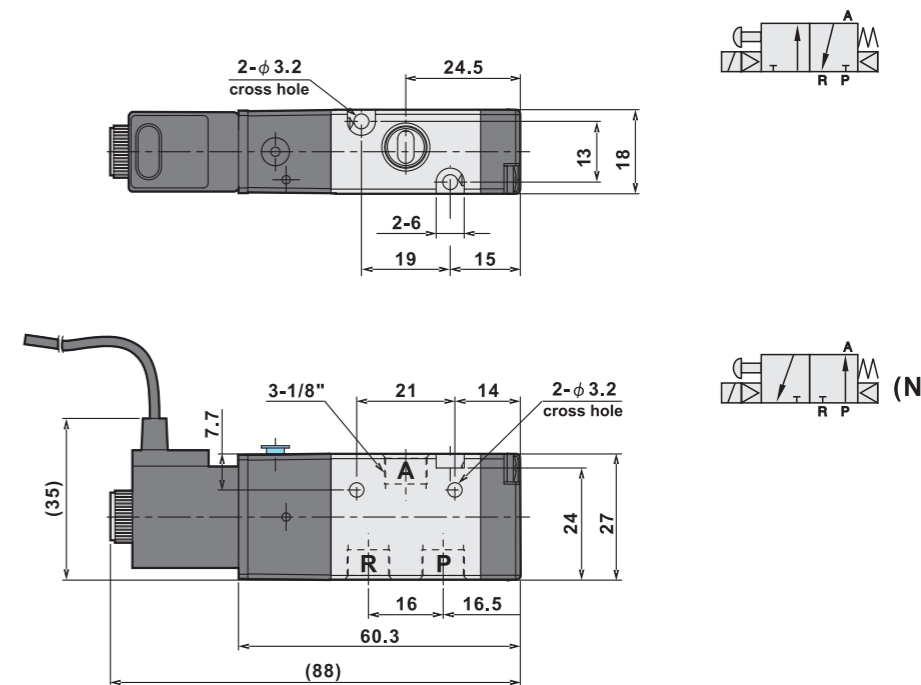
*Ex-proof coil is available, please refer to page 5-10.

■ Specifications

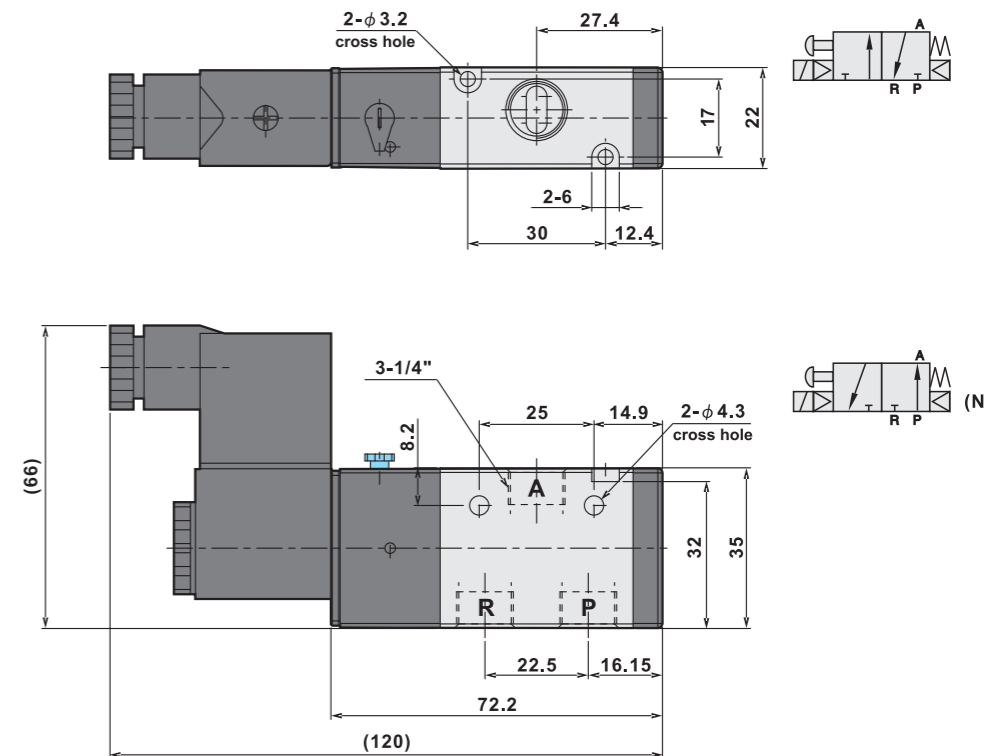
Model	BM320(N)-01	BM320(N)-02
Port size	1/8"	1/4"
Body material	Aluminum alloy	
Fluid	Compressed air	
Effective area	12mm ²	16mm ²
Acting	Internal pilot	
Operating pressure range	1.5~8 kgf/cm ²	
Proof pressure	9.9 kgf/cm ²	
Ambient temperature	-10℃ ~ 60℃	
Duty cycle	100% ED	
Coil type	DIN (Standard)	
Protection class	IP65 (DIN 40 050)	
Insulation class	F	
Voltage tolerance	±10%	
Standard voltage	220VAC, 110VAC, 24VDC (The other voltage is optional)	
Net weight	115g	180g

■ Dimensions

BM320(N)-01



BM320(N)-02



Features

1. Miniature and Compact size, 15mm width, large flow rate (0.25Cv).
2. Manual override design for easy test and operation.
3. Anodized aluminum body and strict quality control provide a long durability.
4. Quick acting, low starting pressure.



How to order

PU521	A	-	M5	-	S	2	D	L
5/2 Way	Valve type	Port size	Solenoid	Voltage	Coil type	Led		
	A: Body ported B: Base mounted	M5: M5	S: Single solenoid D: Double solenoid	1: 110VAC 2: 220VAC 9: 24VDC	Blank: Lead wire D: DIN	Blank: (W/O LED) L: (W/I LED)		

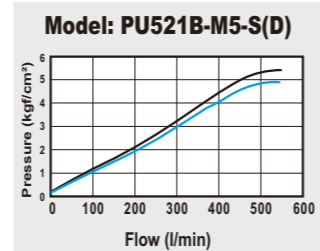
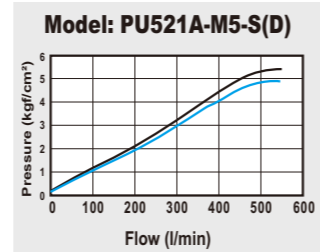
How to order manifold

MF521	A	-	M5	N	02
	Valve type	Port size	Thread	Stations	
	A: Body ported B: Base mounted	M5: M5	Blank: G N: NPT R: Rc	02: 2 Stations 03: 3 Stations XX: XX Stations	

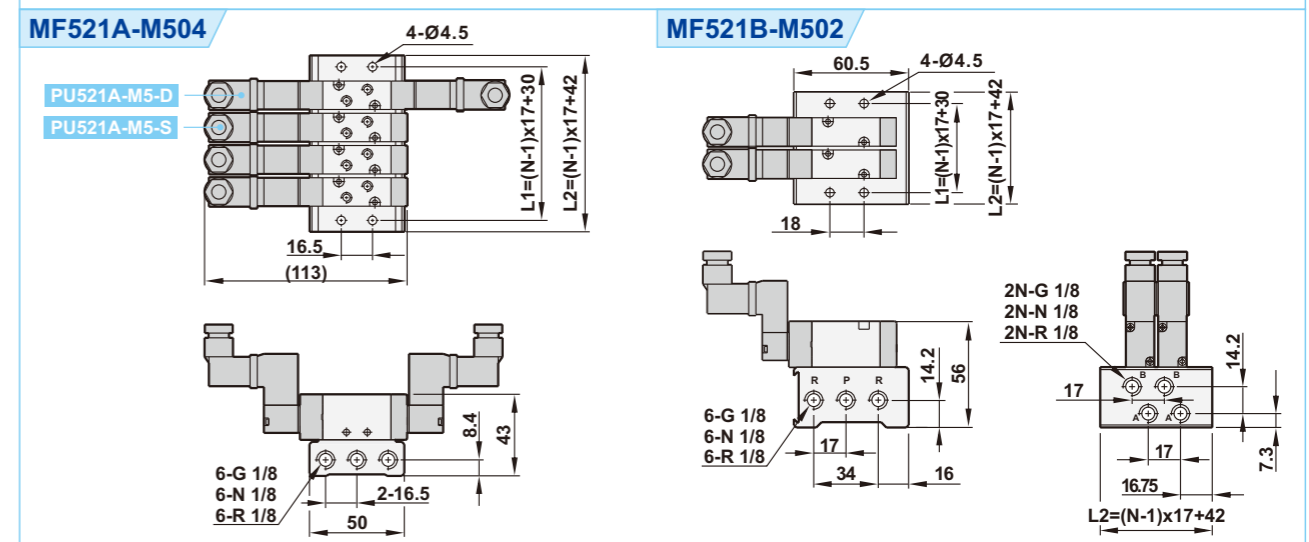
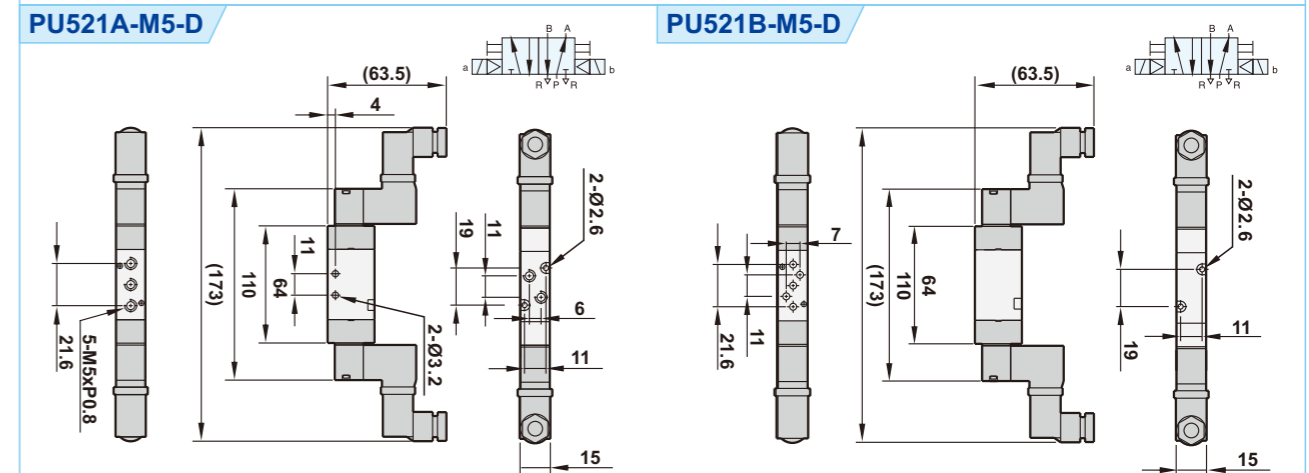
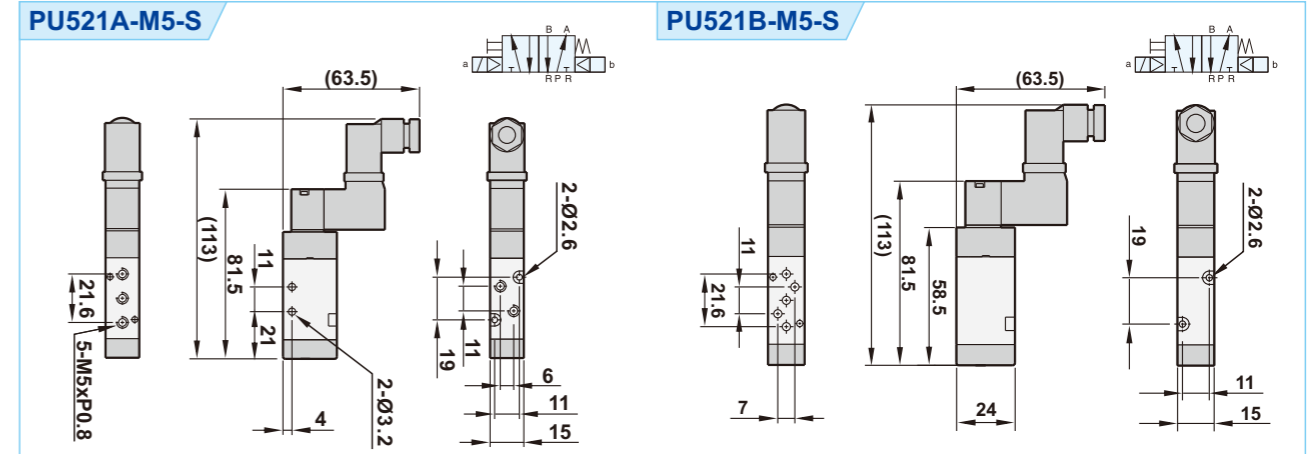
Specifications

Model	PU521A-M5-S(D)	PU521B-M5-S(D)
Port size	M5	
Body material	Aluminum alloy	
Fluid	Compressed air	
Acting	Internal pilot	
Operating pressure range	1 ~ 8 kgf/cm ²	
Proof pressure	9 kgf/cm ²	
Effective area	3.5mm ²	
Cycle rate	120 cpm	
Ambient temperature	-10°C ~ 60°C	
Duty cycle	100% ED	
Coil type	Lead wire(Standard), DIN(Optional)	
Protection class	IP65(DIN 40 050)	
Insulation class	F	
Voltage tolerance	±10%	
Standard voltage	220VAC, 110VAC, 24VDC (The other voltage is optional)	
Net weight	96g	106g

Flow chart



Dimensions



Number of station(N)	2	3	4	5	6	7	8	9	10
L1	47	64	81	98	115	132	149	166	183
L2	59	76	93	110	127	144	161	178	195

■ Features

1. Medium size and large flow rate.
2. Lockable manual override for easy operation.
3. Aluminum body with surface anodizing treatment and strict quality control for long durability.
4. Coil nut is available, please refer to page 5-1.



■ How to order

PU520	X	—	02	N	—	S	2	L	E1
520:5/2 Way	Acting style		Port size	Thread	Solenoid	Voltage	LED	Coil type	
530:5/3 Way	Blank:Standard 5/3 Way Blank:Closed center X:Exhaust center Y:Pressurized center		01:1/8"(option) 02:1/4" 03:3/8" 04:1/2"	Blank:G N:NPT R:Rc	S:Single solenoid D:Double solenoid	1:110VAC 2:220VAC 6:24VAC 7:12VDC 9:24VDC	Blank:W/O LED L:W/I LED	Blank:DIN F:Lead wire E1:EX-proof 22mm width E2:EX-proof 30mm width E3:EX-proof CSA standard	

* Please refer to page 5-10 for the details of ex-proof coil.

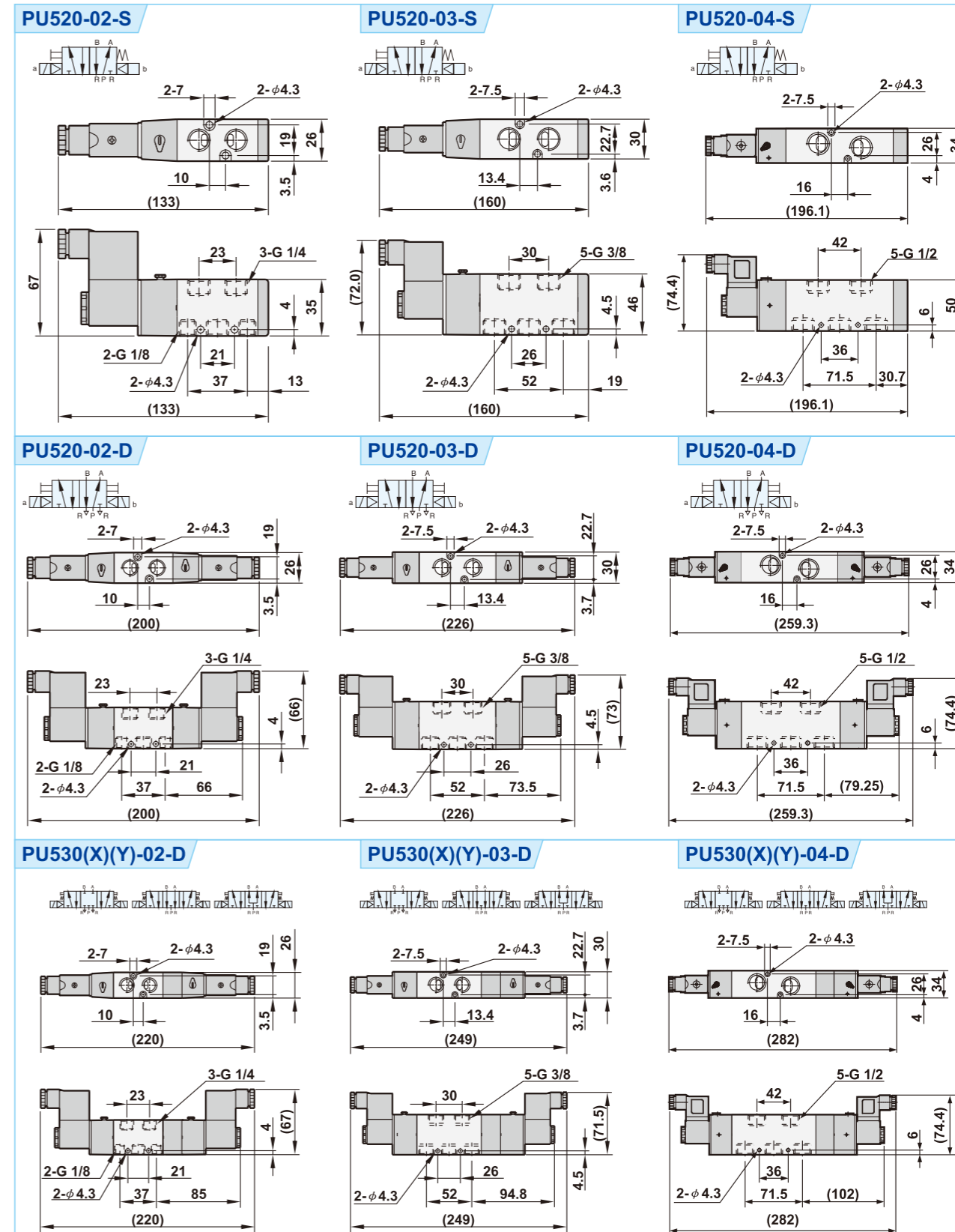
■ How to order manifold

MF520	—	02	N	02
		Port size	Thread	Stations
		02:1/4"	Blank:G	02:2 Stations
		03:3/8"	N:NPT	03:3 Stations
		04:1/2"	R:Rc	XX:XX Stations

■ Specifications

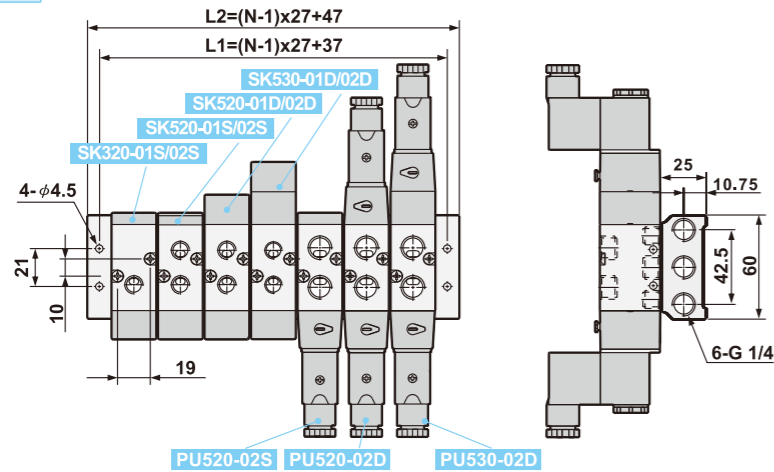
Model	PU520-02-S(D)	PU530-02-D	PU520-03-S(D)	PU530-03-D	PU520-04-S(D)	PU530-04-D
Port size	1/4", 1/8" (Exhaust ports)		3/8"		1/2"	
Body material	Aluminum alloy					
Fluid	Compressed air					
Effective area	18mm ²	14mm ²	35mm ²	32mm ²	70mm ²	54mm ²
Acting	Internal pilot					
Operating pressure range	1.5~8 kgf/cm ²	2~8 kgf/cm ²	1.5~8 kgf/cm ²		2~8 kgf/cm ²	
Proof pressure	9.9 kgf/cm ²					
Ambient temperature	-10°C ~ 60°C					
Duty cycle	100% ED					
Coil type	DIN (Standard)					
Protection class	IP65 (DIN 40 050)					
Insulation class	F					
Voltage tolerance	±10%					
Standard voltage	220VAC, 110VAC, 24VDC (The other voltage is optional)					
Net weight	270g / 335g	475g	430g / 525g	715g	665g / 770g	1045g

■ Dimensions



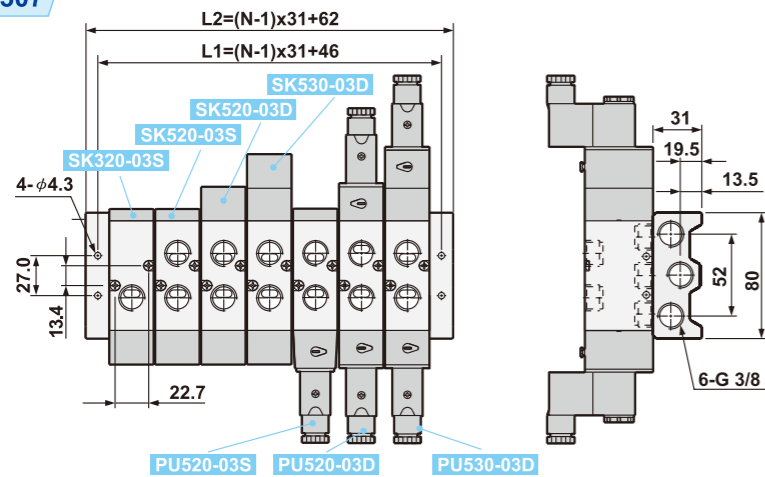
■ Dimensions

MF520-0207



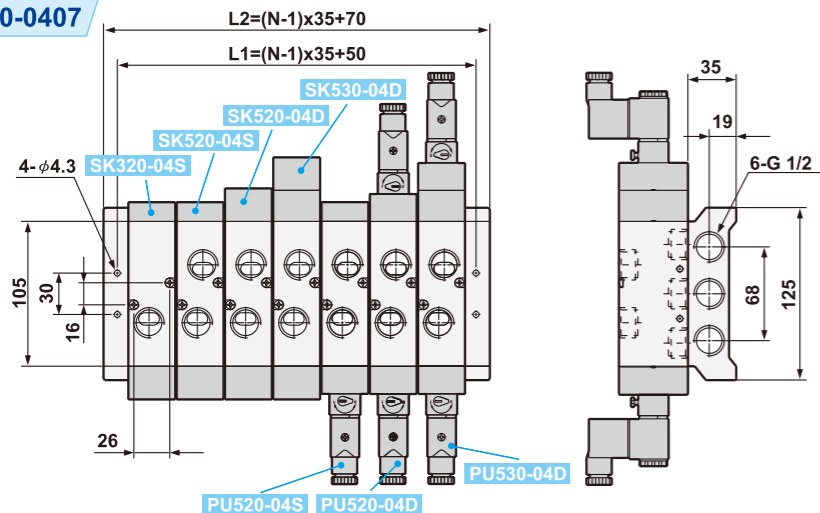
Number of station (N)	L1	L2
2	64	74
3	91	101
4	118	128
5	145	155
6	172	182
7	199	209
8	226	236
9	253	263
10	280	290

MF520-0307



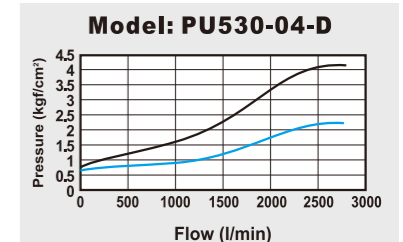
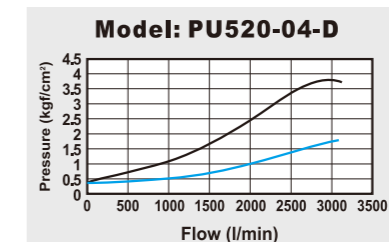
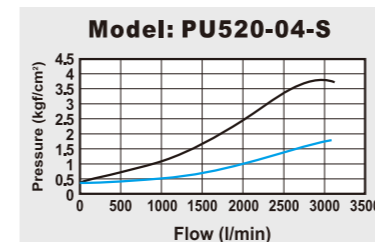
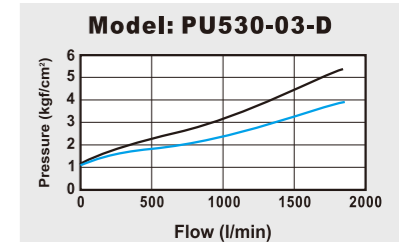
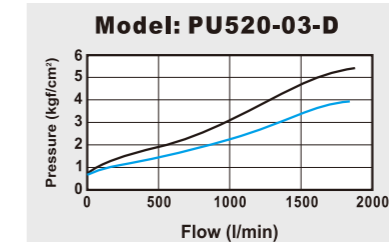
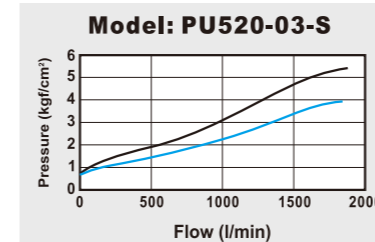
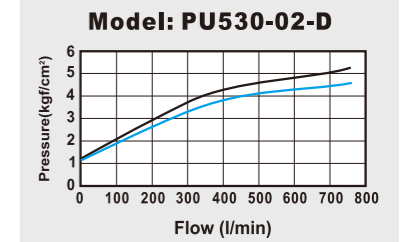
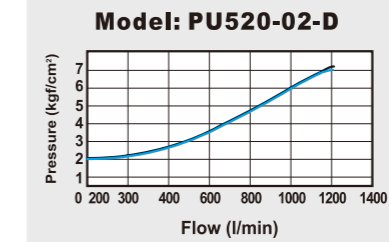
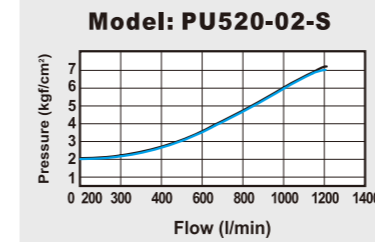
Number of station (N)	L1	L2
2	77	93
3	108	124
4	139	155
5	170	186
6	201	217
7	232	248
8	263	279
9	294	310
10	325	341

MF520-0407

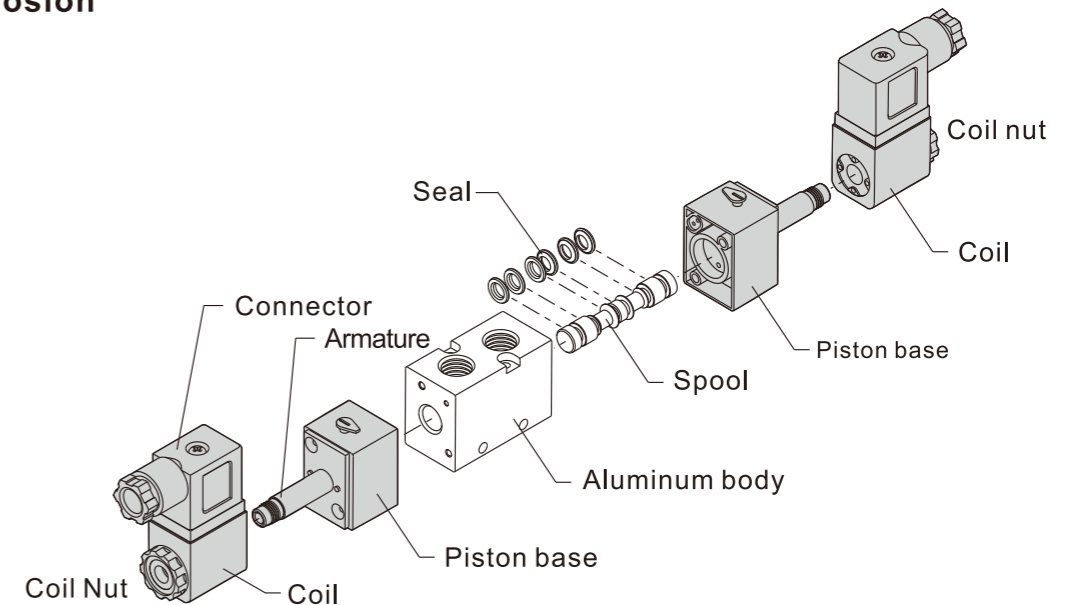


Number of station (N)	L1	L2
2	85	105
3	120	140
4	155	175
5	190	210
6	225	245
7	260	280
8	295	315
9	330	350
10	365	385

■ Flow chart



■ Explosion



5/2 Way External Pilot Solenoid Valve

■ Features

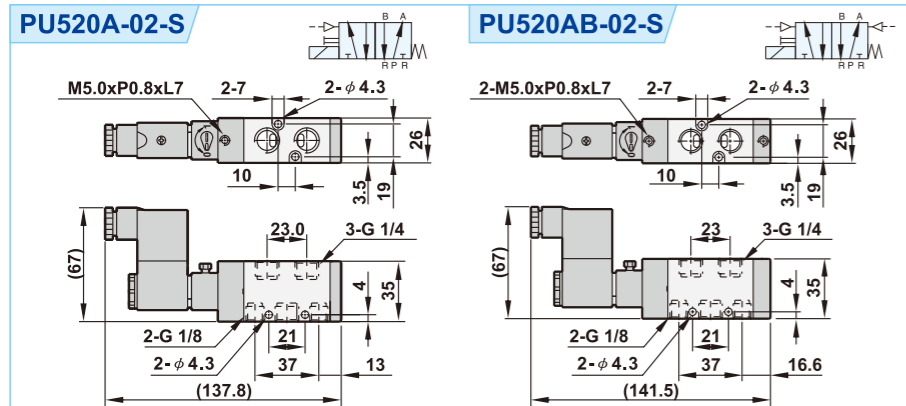
1. Medium size, 26mm width, large flow rate.
2. Lockable manual override for easy operation.
3. Anodized aluminum body and strict quality control provide a long durability.
4. External pilot is available for vacuum equipment.
5. Suitable for manifold part no. MF520-02-XX.
6. Coil nut is available, please refer to page 5-1.



■ How to order

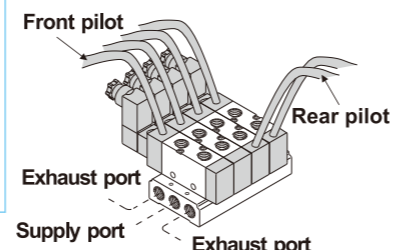
5/2 Way	Acting	Port size	Thread	Solenoid	Voltage	Led	Coil type
	A : Front pilot AB : Front & Rear pilot	01 : 1/8" (Option) 02 : 1/4"	Blank : G N : NPT R : Rc	S : Single solenoid	1 : 110VAC 2 : 220VAC 6 : 24VAC 7 : 12VDC 9 : 24VDC	Blank : W/O LED L : W/I LED	Blank : DIN F : Lead wire E1 : EX-proof 22mm width E2 : EX-proof 30mm width E3 : EX-proof CSA standard

■ Dimensions



5/2 way external pilot solenoid valve

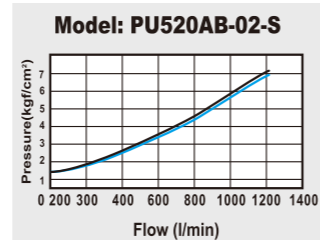
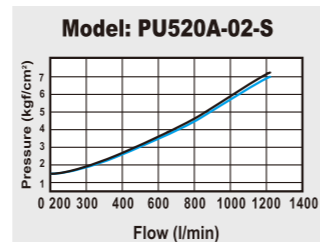
- * Pilot specifications:
- 1. Front pilot, 2. Rear pilot
- * Orifice: M5
- * Manifold part number: MF520-02XX
- Inlet pilot at least 1.5kg higher than external pilot pressure.



■ Specifications

Model	PU520A-02-S	PU520AB-02-S
Port size	1/4", Pilot port. (M5)	
Body material	Aluminum alloy	
Fluid	Compressed air	
Effective area	18mm ²	
Acting	External pilot (1.5 ~ 8 kgf/cm ²)	
Operating pressure range	0 ~ 8 kgf/cm ²	
Proof pressure	9.9 kgf/cm ²	
Ambient temperature	-10°C ~ 50°C	
Duty cycle	100% ED	
Coil type	DIN (Standard)	
Protection class	IP65 (DIN 40 050)	
Insulation class	F	
Voltage tolerance	± 10%	
Standard voltage	220VAC, 110VAC, 24VDC(The other voltage is optional)	
Net weight	240g	260g

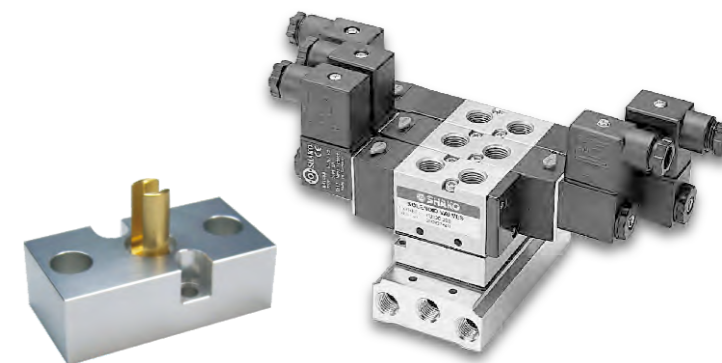
■ Flow chart



5/2,5/3 Way "Sandwich" Shut-Off Block

■ Features

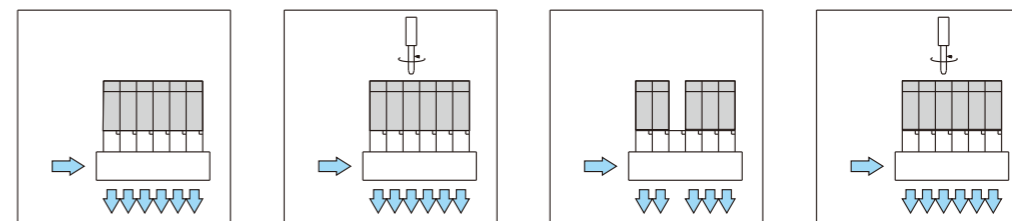
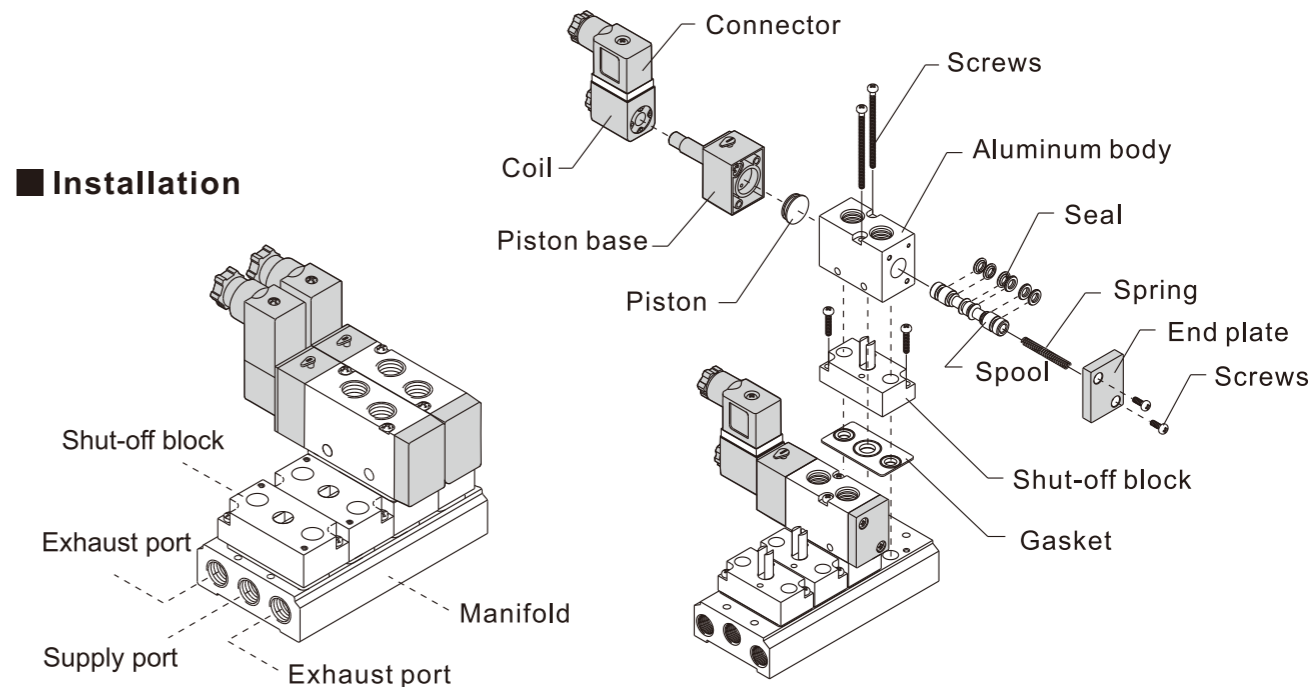
1. The shut-off block allows a valve to be removed without switching off other solenoid valves and air supply.
2. Apply to PU520-02, PU530-02(SOB52-02), PU521A(SOB52-M5) series.



■ How to order

SOB52 - 02	Port size
	02 : 1/4" (PU520-02,PU530-02)
	M5 : M5 (PU521A)

■ Installation



1. Select a solenoid valve needs to be removed.
2. Loosen retaining screws on the valve.
3. Remove the valve and shut-off block automatically cut off air supply and exhaust in the meantime.
4. Replace a new solenoid valve and shut-off block will reopen the ports and re-energize the new valve.

Features

1. Medium size, large flow rate.
2. Lockable manual override for easy operation.
3. Anodized aluminum body and strict quality control provide a long durability.
4. Coil nut is available, please refer to page 5-1.



How to order

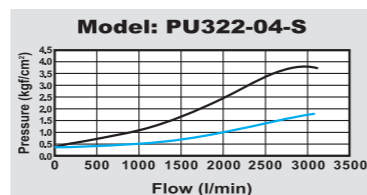
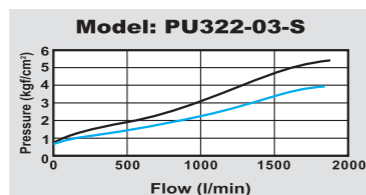
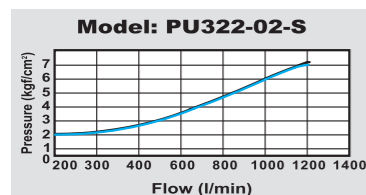
PU322	N	-	02	N	-	S	2	L	E1
3/2 Way	Acting style	Port size	Thread	Solenoid	Voltage	Led	Coil type		
	Blank : Normally closed N : Normally open	02 : 1/4" 03 : 3/8" 04 : 1/2"	Blank : G N : NPT R : Rc	S : Single solenoid	1 : 110VAC 2 : 220VAC 6 : 24VAC 7 : 12VDC 9 : 24VDC	Blank : W/O LED L : W/I LED	Blank : DIN F : Lead wire E1 : EX-proof 22mm width E2 : EX-proof 30mm width E3 : EX-proof CSA standard		

* Please refer to page 5-10 for the details of ex-proof coil.

Specifications

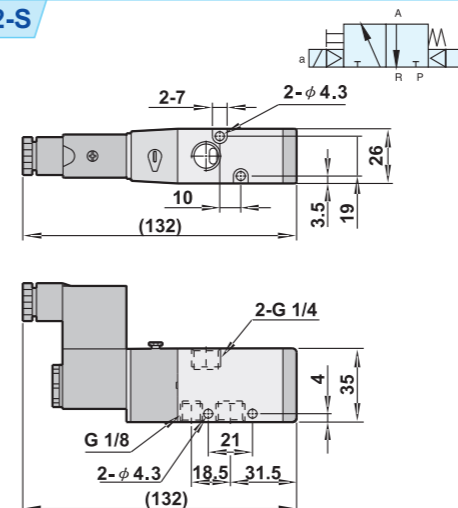
Model	PU322(N)-02-S	PU322(N)-03-S	PU322(N)-04-S
Port size	1/4"	3/8"	1/2"
Body material	Aluminum alloy		
Fluid	Compressed air		
Effective area	18mm ²	35mm ²	70mm ²
Acting	Internal pilot		
Operating pressure range	2 ~ 8 kgf/cm ²		
Proof pressure	9.9 kgf/cm ²		
Ambient temperature	-10°C ~ 50°C		
Duty cycle	100% ED		
Coil type	DIN (Standard)		
Protection class	IP65 (DIN 40 050)		
Insulation class	F		
Voltage tolerance	± 10%		
Standard voltage	220VAC, 110VAC, 24VDC (The other voltage is optional)		
Net weight	280g	450g	685g

Flow chart

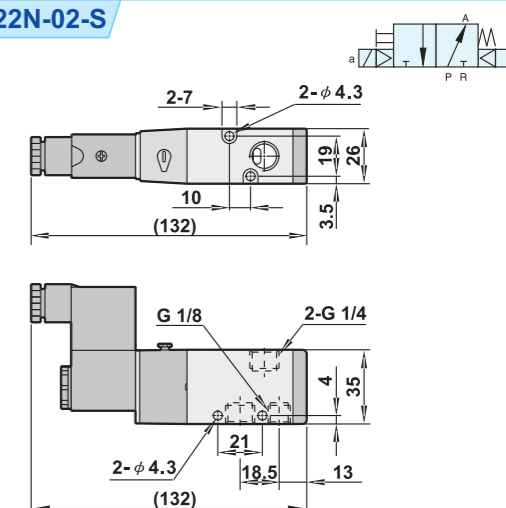


Dimensions

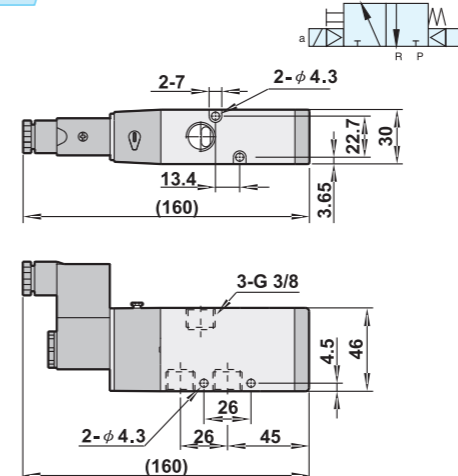
PU322-02-S



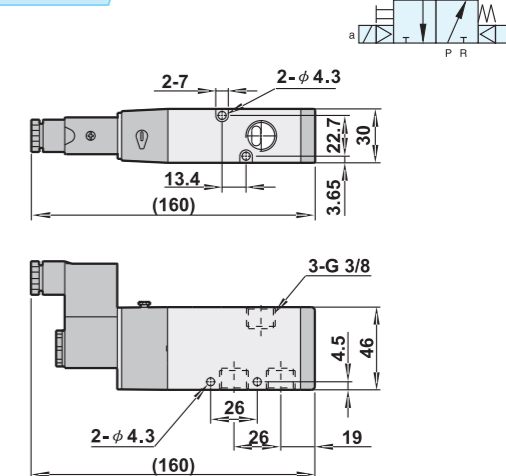
PU322N-02-S



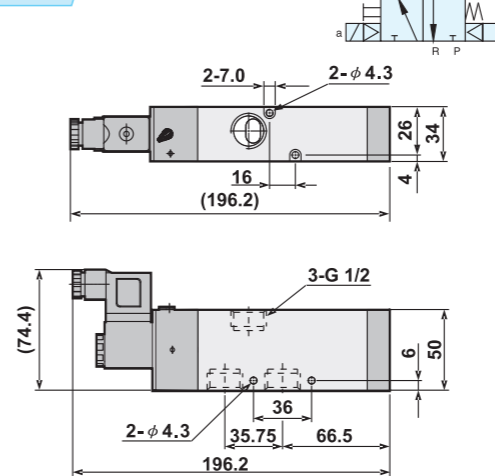
PU322-03-S



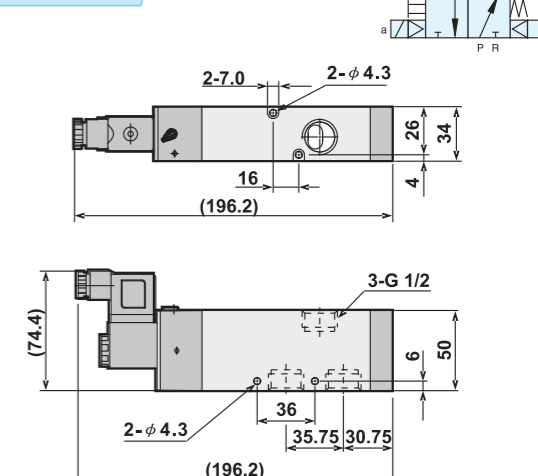
PU322N-03-S



PU322-04-S



PU322N-04-S



Features

1. Stainless steel SUS316 body for corrosion resistance.
2. Coil nut is available, please refer to page 5-1.



How to order

SPU520 - 02	N	-	S	2	L	E1
5/2 Way	Port size	Thread	Solenoid	Voltage	Led	Coil type
	02 : 1/4"	Blank : G	S : Single solenoid	1 : 110VAC	Blank : W/O LED	Blank : DIN
	03 : 3/8"	N : NPT	D : Double solenoid	2 : 220VAC	L : W/I LED	F : Lead wire
	04 : 1/2"	R : Rc		6 : 24VAC		E1 : EX-proof 22mm width
				7 : 12VDC		E2 : EX-proof 30mm width
				9 : 24VDC		E3 : EX-proof CSA standard

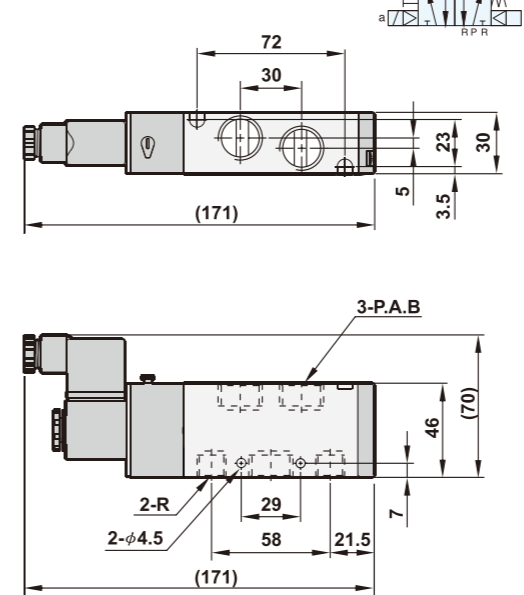
* Please refer to page 5-10 for the details of ex-proof coil.

Specifications

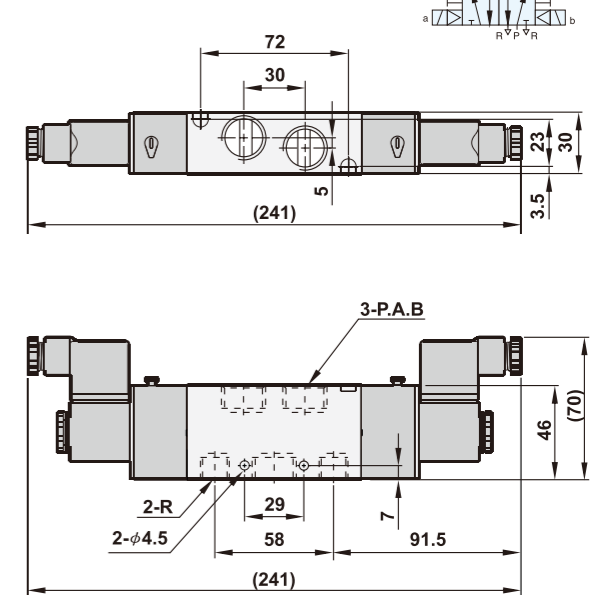
Model	SPU520-02-S	SPU520-03-S	SPU520-04-S	SPU520-02-D	SPU520-03-D	SPU520-04-D
Port size	1/4"	3/8"	1/2"	1/4"	3/8"	1/2"
Body material	SUS316					
Effective area	35mm ²	65mm ²	35mm ²	65mm ²		
Fluid	Compressed air					
Acting	Internal pilot					
Operating pressure range	1.5~8 kgf/cm ²					
Proof pressure	9.99 kgf/cm ²					
Ambient temperature	-10°C ~ 60°C					
Insulation class	F					
Temperature class	EEXmII T4					
Duty cycle	100% ED					
Voltage tolerance	±10%					
Protection class	IP65 (EN 60529)					
Standard voltage	220VAC, 110VAC, 24VDC (The other voltage is optional)					
Net weight	1000g			1200g		

Dimensions

SPU520-02,03,04-S

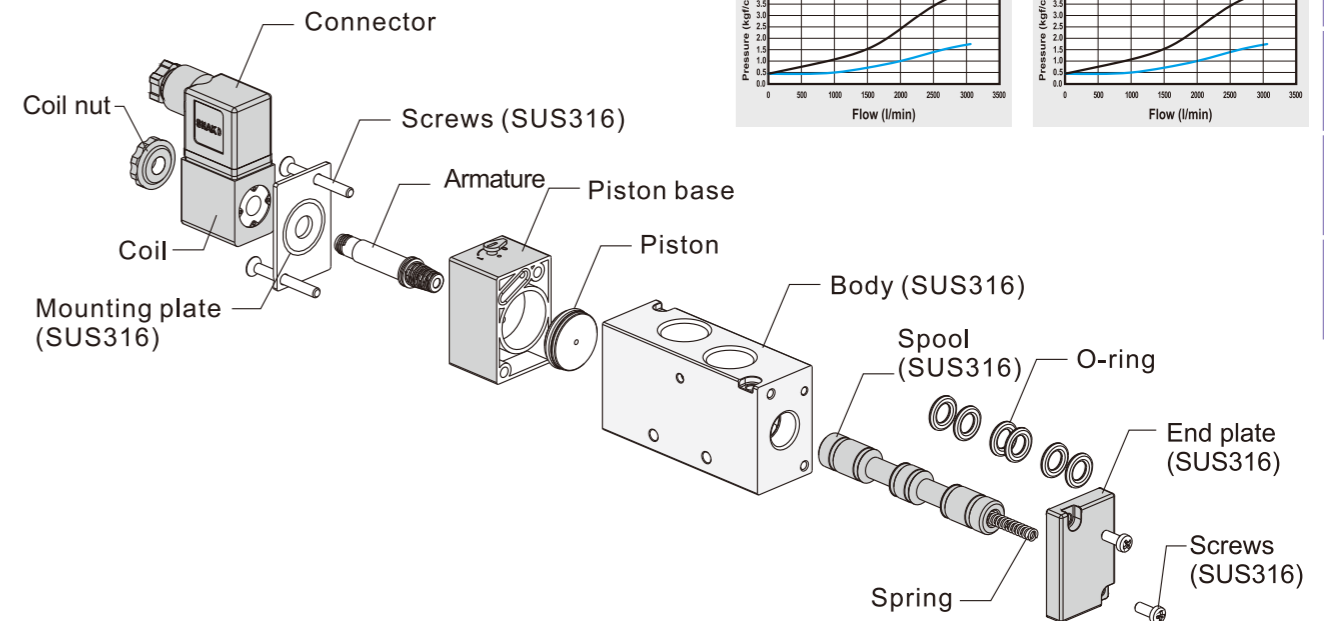


SPU520-02,03,04-D

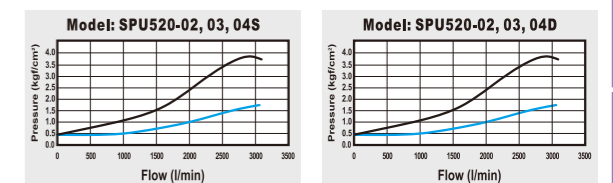


Model	A	B	P	R
SPU520-02	1/4	1/4	1/4	1/4
SPU520-03	3/8	3/8	3/8	3/8
SPU520-04	1/2	1/2	1/2	3/8

Explosion



Flow chart



Features

- ISO 1, ISO 2 solenoid valve.
- Aluminum alloy body.
- With single sub base and manifold sub-base which are identical to ISO 1 & ISO 2 standard.
- Coil nut is available, please refer to page 5-1.



How to order

PS520 F	02	N - S	2	L	E1		
5/2 Way	Sub-Base	Port size	Thread	Solenoid	Voltage	Led	Coil type
Blank : W/O base	02 : ISO 1	Blank : G	S : Single solenoid	1 : 110VAC	Blank : W/O LED	Blank : DIN	
F : W/I single sub-base	03 : ISO 2	N : NPT	D : Double solenoid	2 : 220VAC	L : W/I LED	F : Lead wire	
M02 : 2 Valves stack	04 : ISO 2	R : Rc		6 : 24VAC		E1 : EX-proof 22mm width	
M03 : 3 Valves stack				7 : 12VDC		E2 : EX-proof 30mm width	
Mxx : xx Valves stack				9 : 24VDC		E3 : EX-proof CSA standard	

* Please refer to page 5-10 for the details of ex-proof coil.

How to order manifold

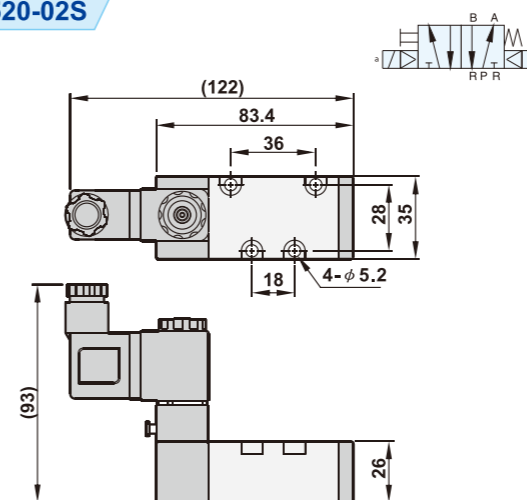
ZESF - 02	ZEPS520B - 02	ZEPS520E - 02
Single sub-base	Manifold sub-base	End plate
Port size	Port size	Port size
02 : 1/4" (ISO 1)	02 : 1/4" (ISO 1)	02 : 3/8" (ISO 1)
03 : 3/8" (ISO 2)	03 : 3/8" (ISO 2)	03 : 1/2" (ISO 2)
04 : 1/2" (ISO 2)		

Specifications

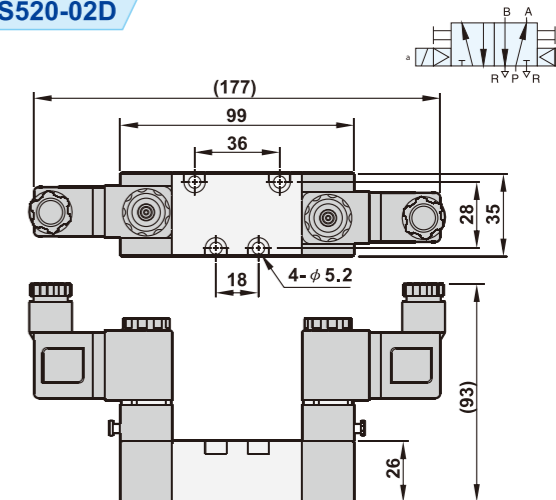
Model	PS520-02-S	PS520-02-D	PS520-03(4)-S	PS520-03(4)-D
Port size	1/4"		3/8" (1/2")	
Body material	Aluminum alloy			
Effective area	29mm ²		62mm ²	
Fluid	Compressed air			
Acting	Internal pilot			
Operating pressure range	1.5 ~ 8 kgf/cm ²			
Proof pressure	9.9 kgf/cm ²			
Ambient temperature	-10°C ~ 60°C			
Duty cycle	100% ED			
Coil type	DIN			
Protection class	IP65 (DIN 40 050)			
Insulation class	F			
Voltage tolerance	±10%			
Standard voltage	220VAC, 110VAC, 24VDC (The other voltage is optional)			
Net weight (W/I base)	320g (500g)	460g (640g)	700g (980g)	840g (1120g)

Dimensions

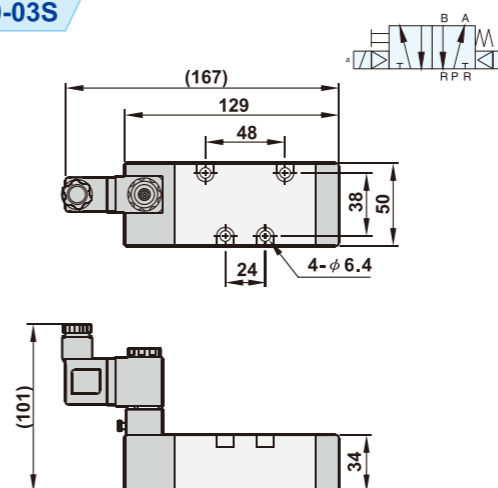
PS520-02S



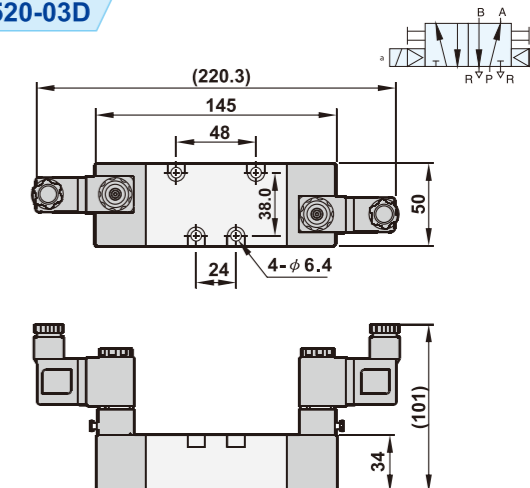
PS520-02D



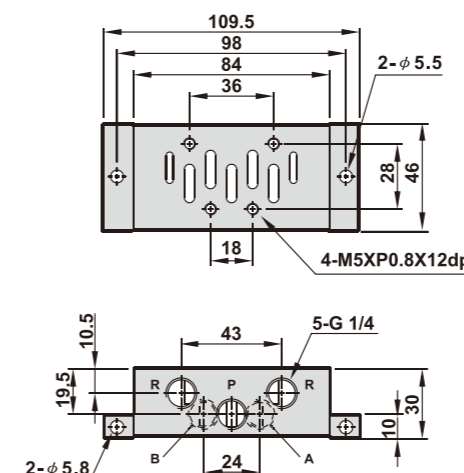
PS520-03S



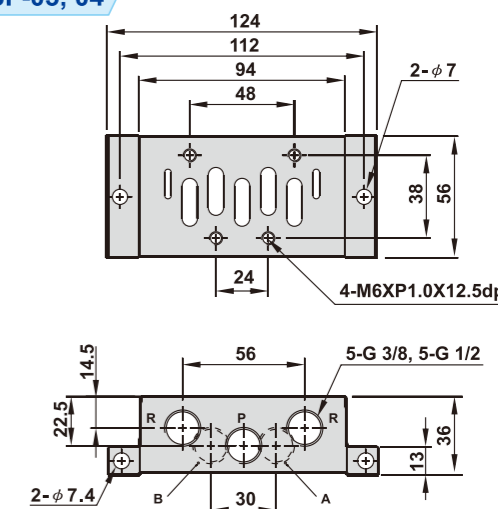
PS520-03D



ZESF-02

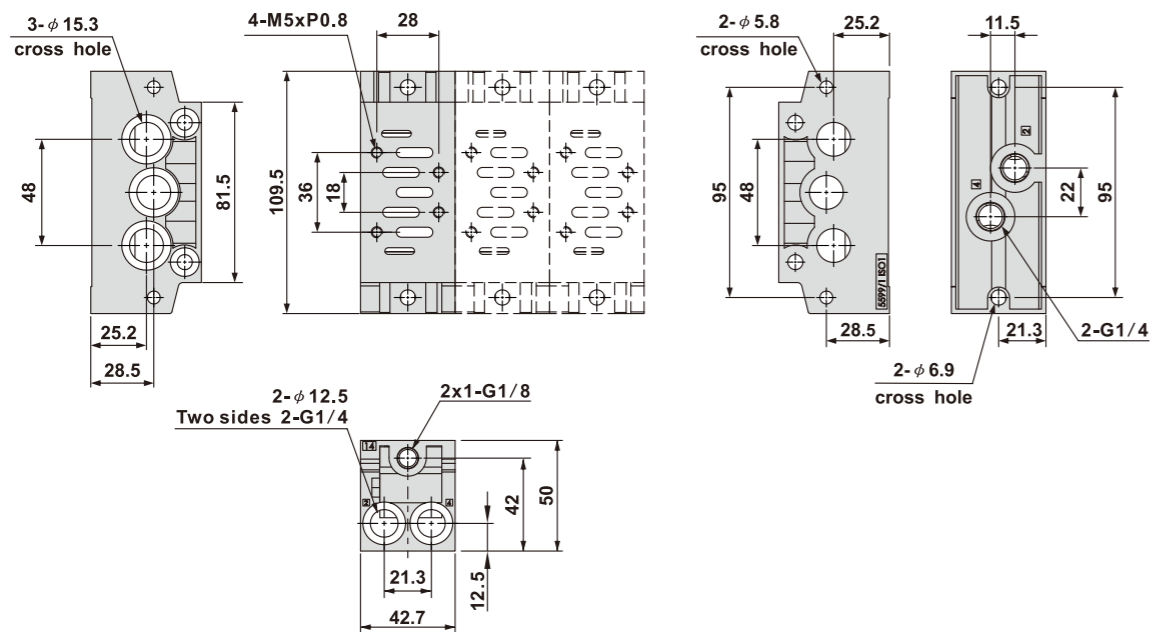


ZESF-03, 04

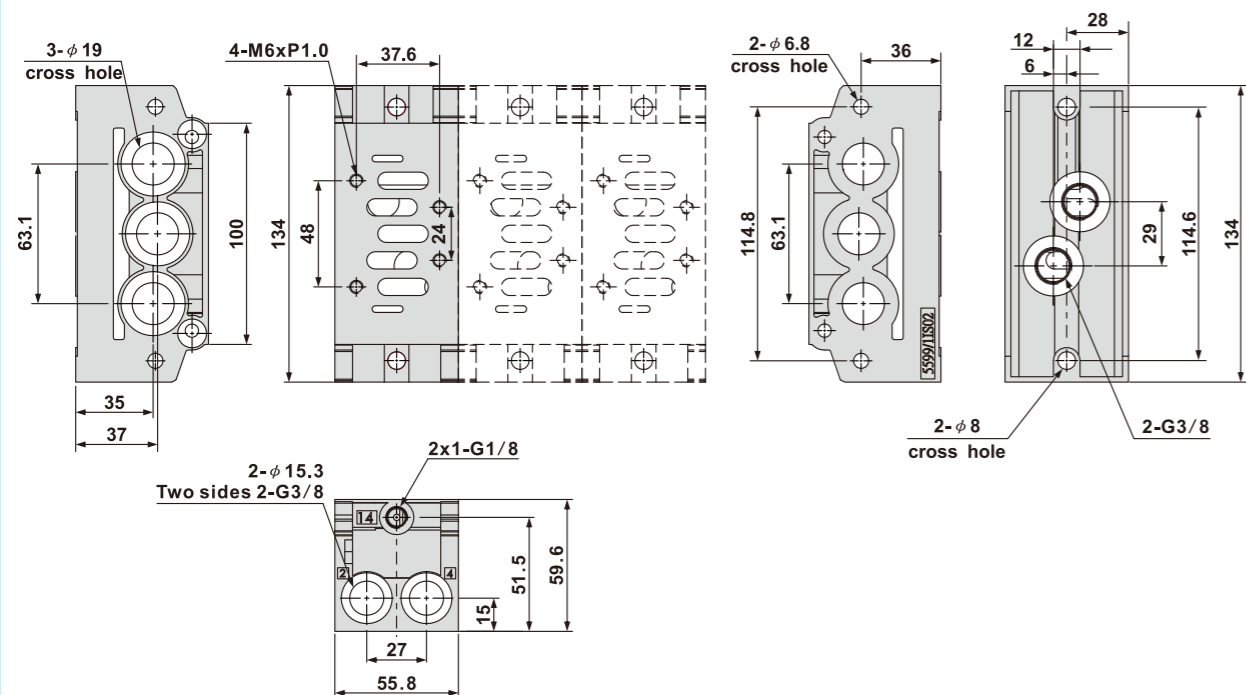


■ Dimensions

ZEPS520B-02 (ISO1 Manifold sub-base)

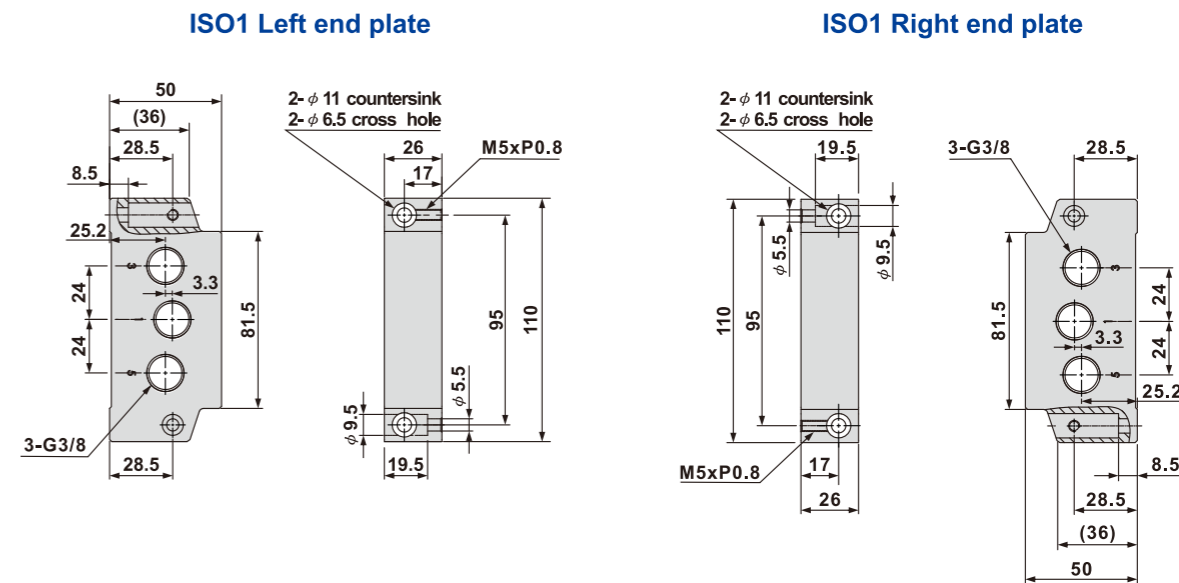


ZEPS520B-03 (ISO2 Manifold sub-base)

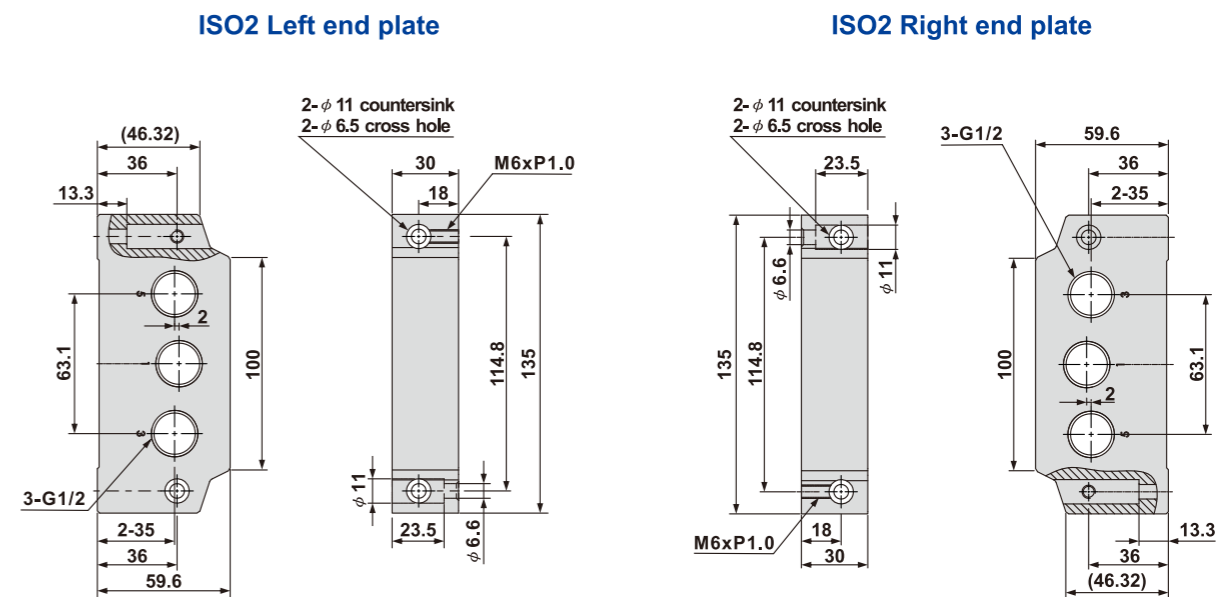


■ Dimensions

ZEPS520E-02 (ISO1 End plate)



ZEPS520E-03 (ISO2 End plate)



CY Series 5/2 Way Pilot Solenoid Valve

Namur Valve

Features

1. Medium size, 30mm width, large flow rate.
2. Lockable manual override for easy operation.
3. Anodized aluminum body and strict quality control provide a long durability.
4. Coil nut is available, please refer to page 5-1.

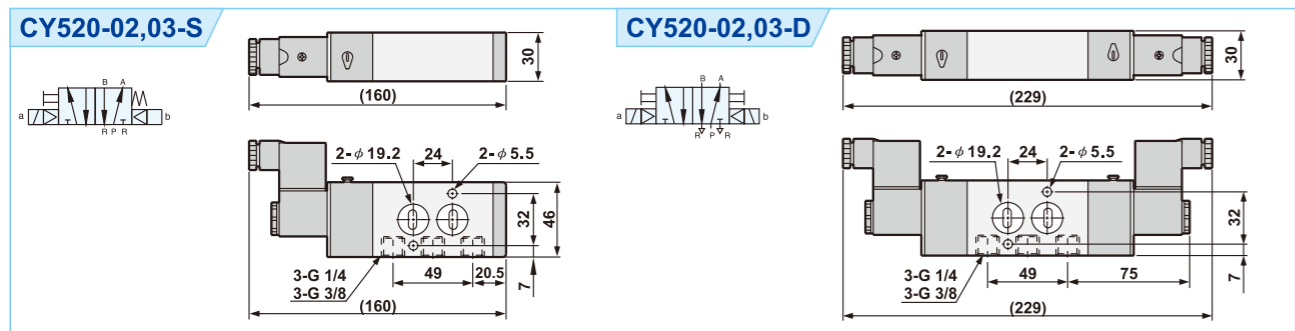


How to order

CY520 - 02	N - S	2	L	E1		
5/2 Way	Port size 02 : 1/4" 03 : 3/8"	Thread Blank : G N : NPT R : Rc	Solenoid S : Single solenoid D : Double solenoid	Voltage 1 : 110VAC 2 : 220VAC 6 : 24VAC 7 : 12VDC 9 : 24VDC	Led Blank : W/O LED L : W/I LED	Coil type Blank : DIN F : Lead wire E1 : EX-proof 22mm width E2 : EX-proof 30mm width E3 : EX-proof CSA standard

* Please refer to page 5-10 for the details of ex-proof coil.

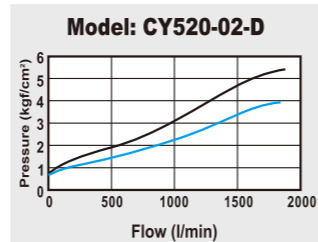
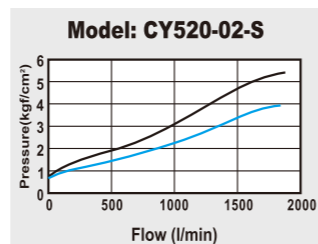
Dimensions



Specifications

Model	CY520-02-S	CY520-02-D	CY520-03-S	CY520-03-D
Port size	1/4"		3/8"	
Body material	Aluminum alloy			
Fluid	Compressed air			
Effective area	35mm ²			
Acting	Internal pilot			
Operating pressure range	1.5~8 kgf/cm ²			
Proof pressure	9.9 kgf/cm ²			
Ambient temperature	-10℃ ~ 50℃			
Duty cycle	100% ED			
Coil type	DIN (Standard)			
Protection class	IP65 (DIN 40 050)			
Insulation class	F			
Voltage tolerance	±10%			
Standard voltage	220VAC, 110VAC, 24VDC (The other voltage is optional)			
Net weight	420.5g	503.6g	412g	495g

Flow chart

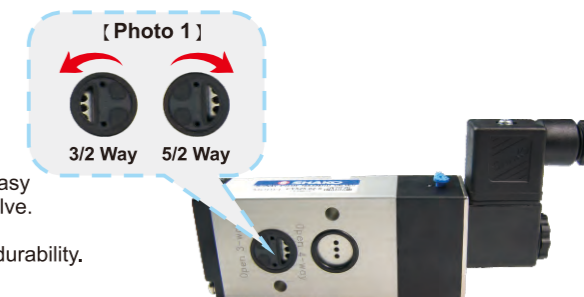


CY Series 5/2,3/2Way Pilot Solenoid Valve

Namur Valve

Features

1. Big effective area and flow rate.
2. The switch gasket attached on the valve for 5/2 way and 3/2 way convertible.
3. The mounting holes on the valve is identical to ISO standard for easy installation on the single or double acting cylinder actuated ball valve.
4. Lockable manual override for easy operation.
5. Anodized aluminum body and strict quality control provide a long durability.
6. Coil nut is available, please refer to page 5-1.



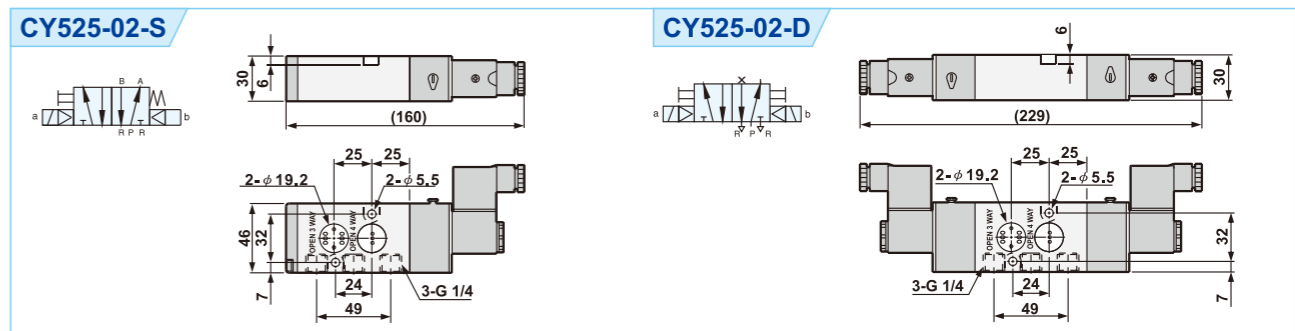
How to order

CY525 - 02	N - S	2	L	E1		
5/2 Way	Port size 02 : 1/4"	Thread Blank : G N : NPT R : Rc	Solenoid S : Single solenoid D : Double solenoid	Voltage 1 : 110VAC 2 : 220VAC 6 : 24VAC 7 : 12VDC 9 : 24VDC	Led Blank : W/O LED L : W/I LED	Coil type Blank : DIN F : Lead wire E1 : EX-proof 22mm width E2 : EX-proof 30mm width E3 : EX-proof CSA standard

**Attaching with a switch gasket for 5/2 way and 3/2 way convertible.

* Please refer to page 5-10 for the details of ex-proof coil.

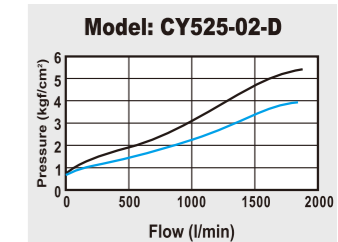
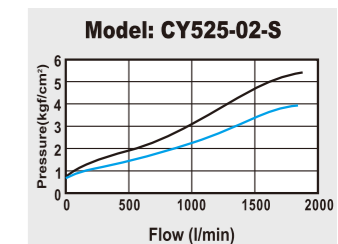
Dimensions



Specifications

Model	CY525-02-S	CY525-02-D
Port size	1/4"	
Body material	Aluminum alloy	
Fluid	Compressed air	
Effective area	35mm ²	
Acting	Internal pilot	
Operating pressure range	1.5~8 kgf/cm ²	
Proof pressure	9.9 kgf/cm ²	
Ambient temperature	-10℃ ~ 50℃	
Duty cycle	100% ED	
Coil type	DIN (Standard)	
Protection class	IP65 (DIN 40 050)	
Insulation class	F	
Voltage tolerance	±10%	
Standard voltage	220VAC, 110VAC, 24VDC (The other voltage is optional)	
Net weight	305g	390g

Flow chart



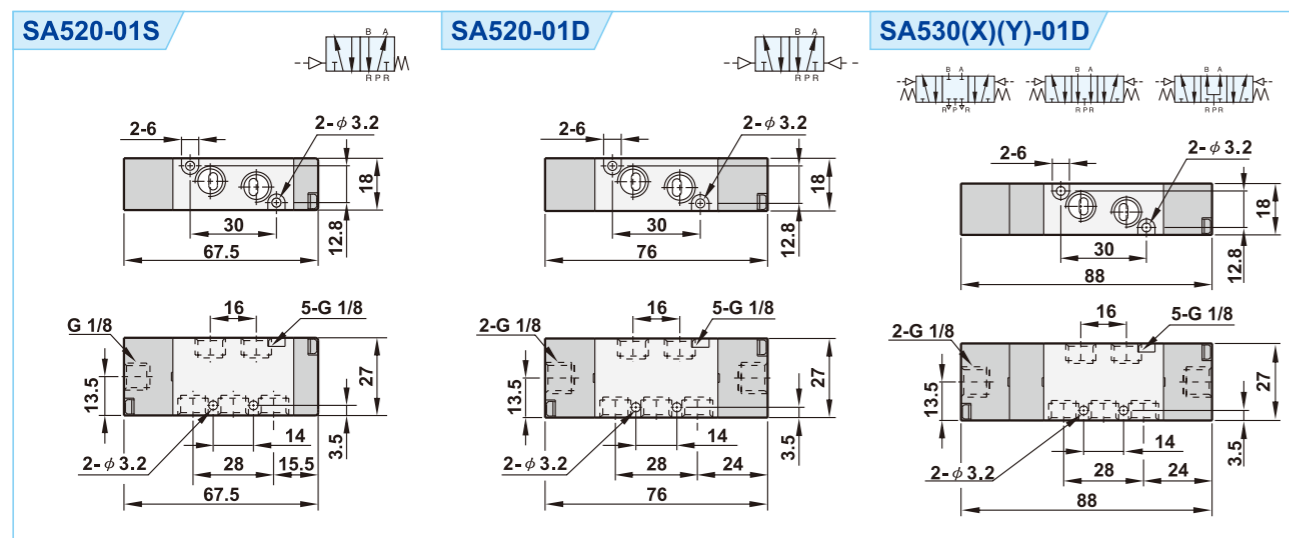
■ Features

1. Suitable for flammable working environments.
2. The valve is actuated by air for accurate response.

■ How to order

SA520	X	-	01	N	S
520 : 5/2 Way	Acting style		Port size	Thread	Pneumatic control
530 : 5/3 Way	Blank : Standard 5/3 Way Blank : Closed center X : Exhaust center Y : Pressurized center		01 : 1/8"	Blank : G N : NPT R : Rc	S : Single pneumatic D : Double pneumatic

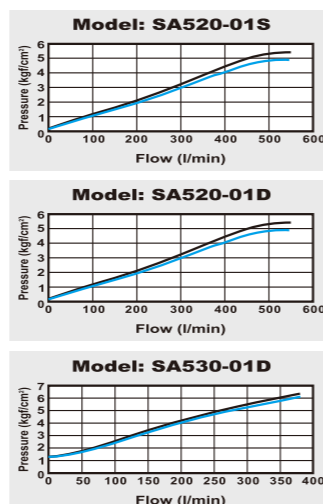
■ Dimensions



■ Specifications

Model	SA520-01S	SA520-01D	SA530-01D
Port size		1/8"	
Body material	Aluminum alloy		
Effective area	11mm ²		9mm ²
Fluid	Compressed air		
Acting	External pilot (1.5 ~ 7 kgf/cm ²)		
Operating pressure range	0 ~ 8 kgf/cm ²		
Proof pressure	9.9 kgf/cm ²		
Ambient temperature	-10°C ~ 60°C		
Net weight	70g	75g	110g

■ Flow chart



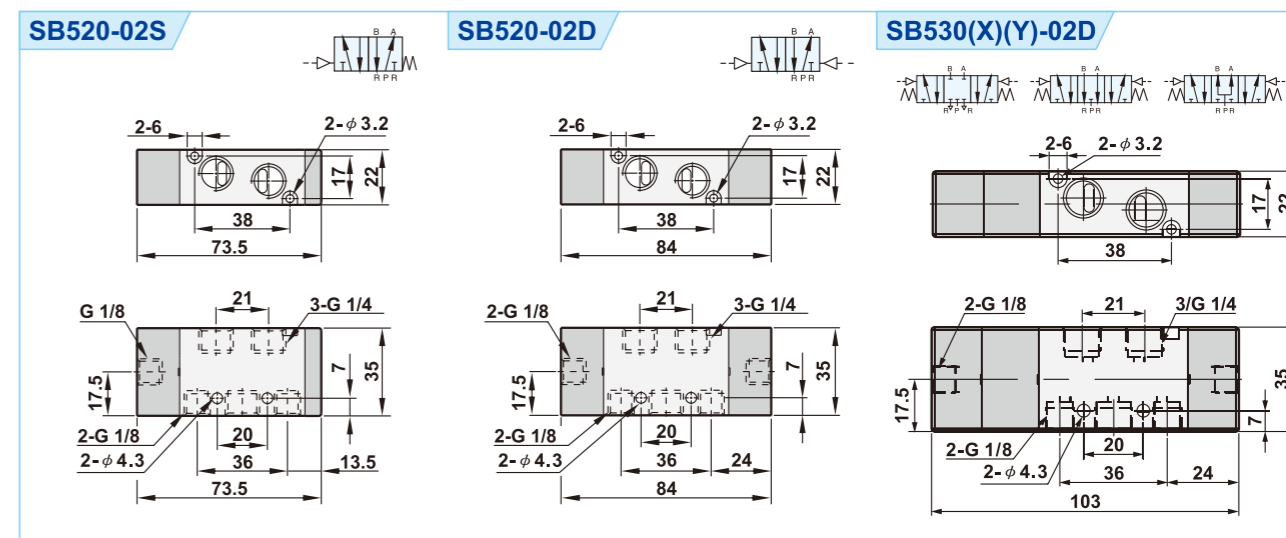
■ Features

1. Suitable for flammable working environments.
2. The valve is actuated by air for accurate response.
3. The mounting position is identical to the counter product from the famous Japanese brand.

■ How to order

SB520	X	-	02	N	S
520 : 5/2 Way	Acting style		Port size	Thread	Pneumatic control
530 : 5/3 Way	Blank : Standard 5/3 Way Blank : Closed center X : Exhaust center Y : Pressurized center		02 : 1/4"	Blank : G N : NPT R : Rc	S : Single pneumatic D : Double pneumatic

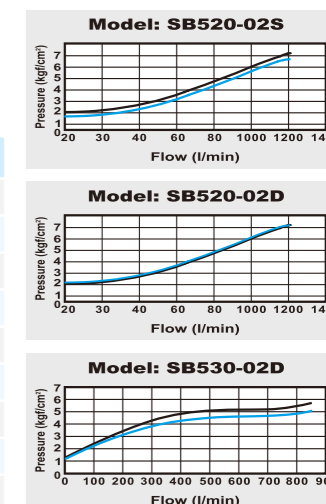
■ Dimensions



■ Specifications

Model	SB520-02S	SB520-02D	SB530-02D
Port size		1/4"	
Body material	Aluminum alloy		
Effective area	18mm ²		14mm ²
Fluid	Compressed air		
Acting	External pilot (1.5 ~ 7 kgf/cm ²)		
Operating pressure range	0 ~ 8 kgf/cm ²		0 ~ 7 kgf/cm ²
Proof pressure	9.9 kgf/cm ²		
Ambient temperature	-10°C ~ 60°C		
Net weight	135g	145g	220g

■ Flow chart



■ Features

- 1. Suitable for flammable working environments.
- 2. The valve is actuated by air for accurate response.



■ How to order

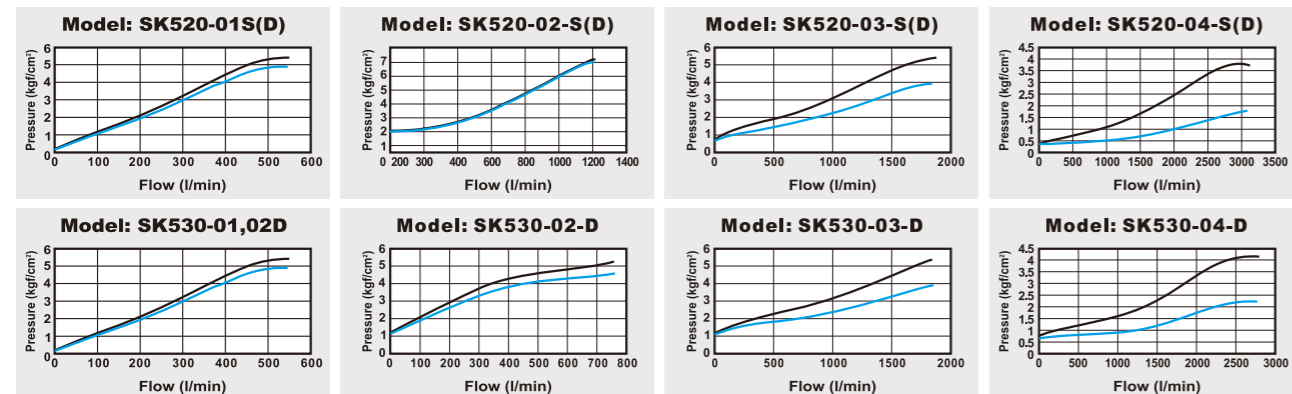
SK520	X	-	01	N	S
520 : 5/2 Way	Acting style		Port size	Thread	Pneumatic control
530 : 5/3 Way	Blank : Standard 5/3 Way Blank : Closed center X : Exhaust center Y : Pressurized center		01 : 1/8" (option) 02 : 1/4" 03 : 3/8" 04 : 1/2"	Blank : G N : NPT R : Rc	S : Single pneumatic D : Double pneumatic

**5/3 way valve is only available for double pneumatic control.

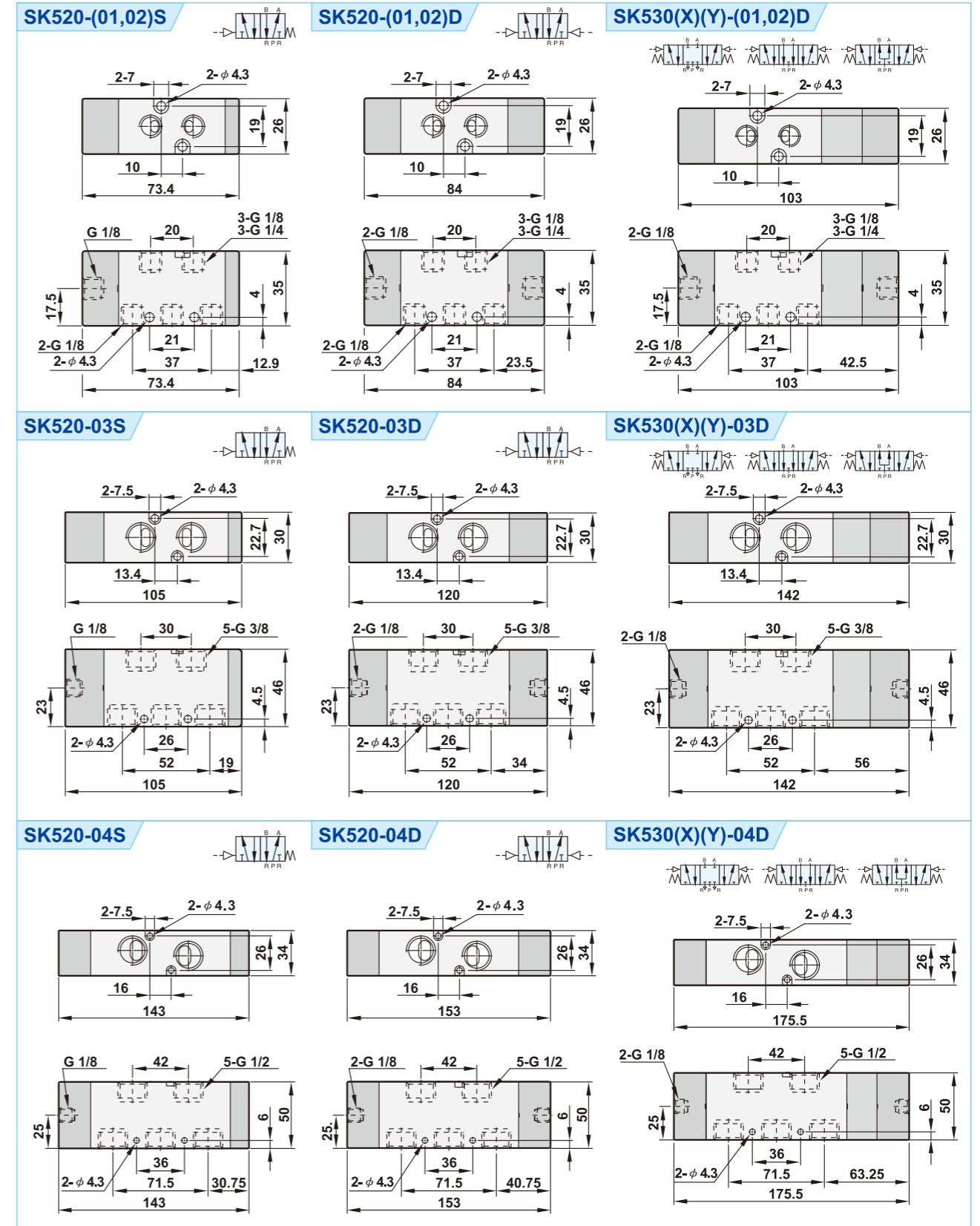
■ Specifications

Model	SK520-02S(D)	SK530-02D	SK520-03S(D)	SK530-03D	SK520-04S(D)	SK530-04D
Port size	1/4"		3/8"		1/2"	
Body material	Aluminum alloy					
Fluid	Compressed air					
Effective area	18mm ²	14mm ²	35mm ²	32mm ²	70mm ²	54mm ²
Acting	External pilot (1.5 ~ 7 kgf/cm ²)					
Operating pressure range	0~8kgf/cm ²	0~7kgf/cm ²	0~8kgf/cm ²	0~7kgf/cm ²	0~8kgf/cm ²	0~7kgf/cm ²
Proof pressure	9.9 kgf/cm ²					
Ambient temperature	-10°C ~ 60°C					
Net weight	170g/180g	310g	370g/400g	585g	565g/605g	865g

■ Flow chart



■ Dimensions



Features

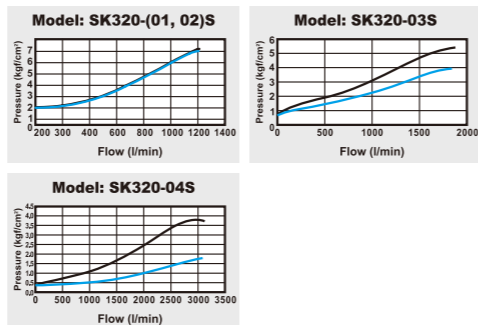
- Suitable for flammable working environments.
- The valve is actuated by air for accurate response.



How to order

SK320 N	—	01	N	S
3/2 Way	Acting style	Port size	Thread	Pneumatic control
	Blank : Normally closed N : Normally open	01 : 1/8" (option) 02 : 1/4" 03 : 3/8" 04 : 1/2"	Blank : G N : NPT R : Rc	S : Single pneumatic

Flow chart



Dimensions

SK320-01~04

SK320N-01~04

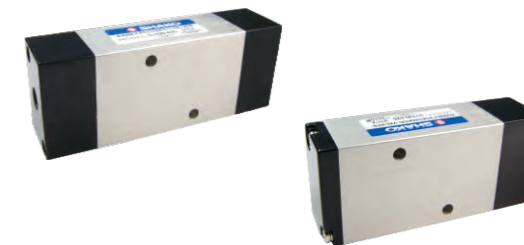
Model	A	B	C	D	E	F	G	H	I	J	K	L	M	N	O	P	Q
SK320(N)-01	G 1/8	73.4	35	26	7	4.3	19	10	21	4	G 1/8	G 1/8	32	52	18.5	31.5	12.9
SK320(N)-02	G 1/8	73.4	35	26	7	4.3	19	10	21	4	G 1/4	G 1/8	30.5	53.5	18.5	31.5	12.9
SK320(N)-03	G 1/8	105	46	30	7.5	4.3	22.7	13.4	26	4.5	G 3/8	G 3/8	45	75	26	45	19
SK320(N)-04	G 1/8	143	50	34	7.5	4.3	26	16	36	6	G 1/2	G 1/2	55.5	97.5	36	66.5	30.75

Specifications

Model	SK320-01S	SK320-02S	SK320-03S	SK320-04S
Port size	1/8"	1/4"	3/8"	1/2"
Body material	Aluminum alloy			
Effective area	14mm ²	18mm ²	35mm ²	70mm ²
Fluid	Compressed air			
Acting	External pilot (1.5 ~ 7 kgf/cm ²)			
Operating pressure range	0 ~ 8 kgf/cm ²			
Proof pressure	9.9 kgf/cm ²			
Ambient temperature	-10°C ~ 60°C			
Net weight	180g		375g	595g

Features

- Suitable for flammable working environments.
- The valve is actuated by air for accurate response.



How to order

SY520	—	02	N	S
5/2 Way	Port size	Thread	Pneumatic control	
	02 : 1/4" 03 : 3/8"	Blank : G N : NPT R : Rc	S : Single pneumatic D : Double pneumatic	

Dimensions

SY520-(02,03)-S

SY520-(02,03)-D

Specifications

Model	SY520-02-S(D)	SY520-03-S(D)
Port size	1/4"	
Body material	Aluminum alloy	
Fluid	Compressed air	
Effective area	35mm ²	
Acting	External pilot (2 ~ 8 kgf/cm ²)	
Operating pressure range	0 ~ 8 kgf/cm ²	
Proof pressure	9.9 kgf/cm ²	
Ambient temperature	-10°C ~ 60°C	
Net weight	305g	390g

Flow chart

